

# Tilt Wood Window Parts Reference Catalog

#011096 (8/99)

**PROSHIELD™**  
*Windows & Doors*



Weather Shield Mfg., Inc.  
Medford, WI 54451 • 715/748-2100



# Table of Contents

---

Parts Reference Catalog Guide . . . . .	Page 1
Tilt Wood Window Interior View . . . . .	Page 2
Tilt Wood Window Interior Exploded View . . . . .	Page 3
Tilt Wood Window Horizontal/Vertical Mull Cross Sections . . . . .	Page 4
Tilt Wood Window 30° and 45° Angle Bay Vertical Mull Cross Sections . . . . .	Page 5
Tilt Wood Window Jamb Liner / Sash Balance Assembly . . . . .	Page 6
Tilt Wood Window How To Measure To Order Replacement Parts . . . . .	Page 7
Tilt Wood Window Sizes Available . . . . .	Page 8
Tilt Wood Window Glazing Options . . . . .	Page 9
Tilt Wood Window Sash Replacement Order Form . . . . .	Page 10
Tilt Wood Window Screen Parts . . . . .	Page 11
Tilt Wood Window Parts	
Horizontal . . . . .	Page 12
Vertical . . . . .	Page 14
Miscellaneous . . . . .	Page 15
Sash Balances . . . . .	Page 18
Accessories . . . . .	Page 19



# Parts Reference Catalog Guide

Please specify product option numbers or part numbers when ordering.

## PURPOSE

This catalog is intended to assist you in identifying and ordering replacement parts.

## CATALOG FORMAT

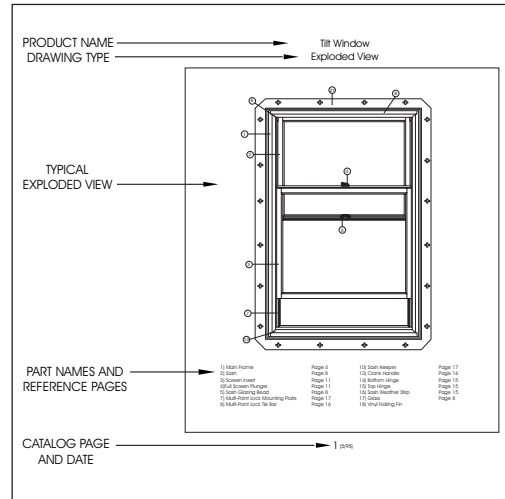
### 1) Exploded View Pages (Pages 2 & 3)

Shows part locations on a complete unit.

Each part name is shown at the bottom of the page with a reference page number to turn to for specific information on that part.

### 2) "Measuring Your Unit" Page (Page 7)

After the exploded view pages is an informational page explaining how to measure your unit to order correct replacement part sizes.



### 3) Detailed Parts Information Pages (Pages 11-20)

Pages are organized under four general categories: Horizontal, Vertical, Sash-Glass-Screens, and Miscellaneous Parts Pages.

Drawings of the parts and their descriptions are shown at the left of the page as they will show up on your order acknowledgement.

Product options and part numbers are shown at the right for you to specify when ordering.

At the end of some part descriptions are brackets with "S" or "E" followed by dates. This indicates when parts were started or ended in production.

Vinyl VS Single-Hung Horizontal Parts (11.0)

SIZE TO SPECIFY FOR ORDERING: SPECIFY R/L WHEN ORDERING PARTS LISTED BELOW

PARTS AND PART DESCRIPTIONS

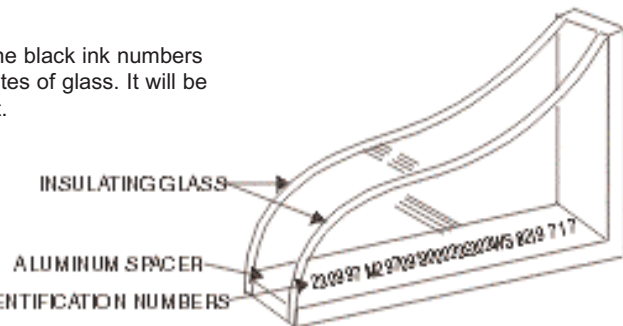
OPTION AND PART NUMBERS TO USE FOR ORDERING

STARTING AND ENDING DATES FOR PARTS (S 7-14-93) (WHEN ENDING DATE IS NOT SHOWN, PART IS STILL IN USE).

ITEM NO.	DESCRIPTION	COLOR	FINISH	DATE	DATE	DATE	DATE	DATE	DATE	DATE	DATE	DATE
#11 1/2" 94 Aluminum Die Cap Substrate #86220		COGOK	FINISH	DATE	DATE	DATE	DATE	DATE	DATE	DATE	DATE	DATE
#5 1/2" 94 1" Flexible Meeting Rail (1.0) Substrate #86214		COGOK	FINISH	DATE	DATE	DATE	DATE	DATE	DATE	DATE	DATE	DATE
#7 1/2" 94 1" 5/8" Active Span Interlock W/Length Punches (1.0) Substrate #86214		COGOK	FINISH	DATE	DATE	DATE	DATE	DATE	DATE	DATE	DATE	DATE
#11 1/2" 94 1" 5/8" Half Screen Support @ (194) Substrate #86214		COGOK	FINISH	DATE	DATE	DATE	DATE	DATE	DATE	DATE	DATE	DATE
#12 1/2" 94 1" 5/8" Case Substrate #86220VA		COGOK	FINISH	DATE	DATE	DATE	DATE	DATE	DATE	DATE	DATE	DATE
#14 1/2" 94 1" 5/8" 1" 1/2" 94 Substrate #86214		COGOK	FINISH	DATE	DATE	DATE	DATE	DATE	DATE	DATE	DATE	DATE
#18 1/2" 94 1" 5/8" 1" 1/2" 94 Substrate #86214		COGOK	FINISH	DATE	DATE	DATE	DATE	DATE	DATE	DATE	DATE	DATE
#19 1/2" 94 1" 5/8" 1" 1/2" 94 Substrate #86214		COGOK	FINISH	DATE	DATE	DATE	DATE	DATE	DATE	DATE	DATE	DATE
#15 1/2" 94 1" 5/8" 1" 1/2" 94 Substrate #86214		COGOK	FINISH	DATE	DATE	DATE	DATE	DATE	DATE	DATE	DATE	DATE
#16 1/2" 94 1" 5/8" 1" 1/2" 94 Substrate #86214		COGOK	FINISH	DATE	DATE	DATE	DATE	DATE	DATE	DATE	DATE	DATE
#17 1/2" 94 1" 5/8" 1" 1/2" 94 Substrate #86214		COGOK	FINISH	DATE	DATE	DATE	DATE	DATE	DATE	DATE	DATE	DATE

## GLASS IDENTIFICATION NUMBERS

To identify when your unit was produced, look for the black ink numbers stamped on the aluminum spacer between the lites of glass. It will be near one of the four corners. See sketch at right.

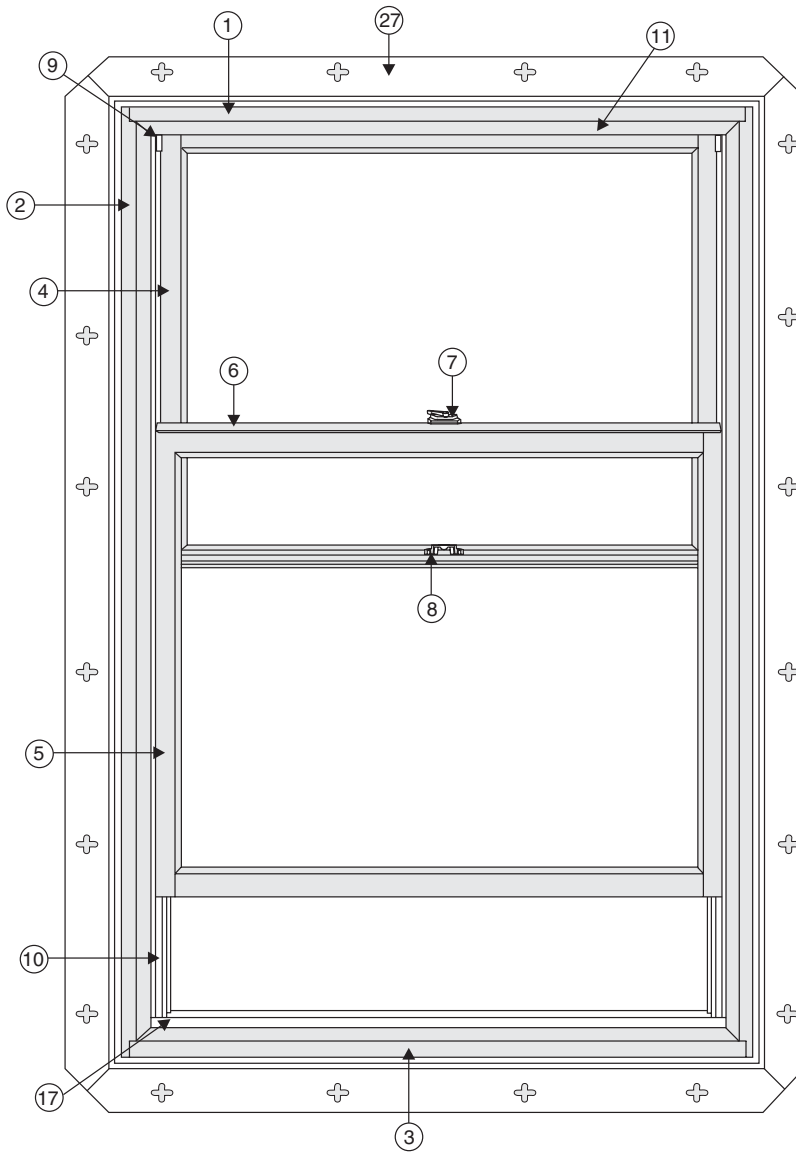


## QUESTIONS

Contact your Customer Service Representative if you have any questions concerning how to use parts reference catalogs.



# Tilt Wood Window Interior View



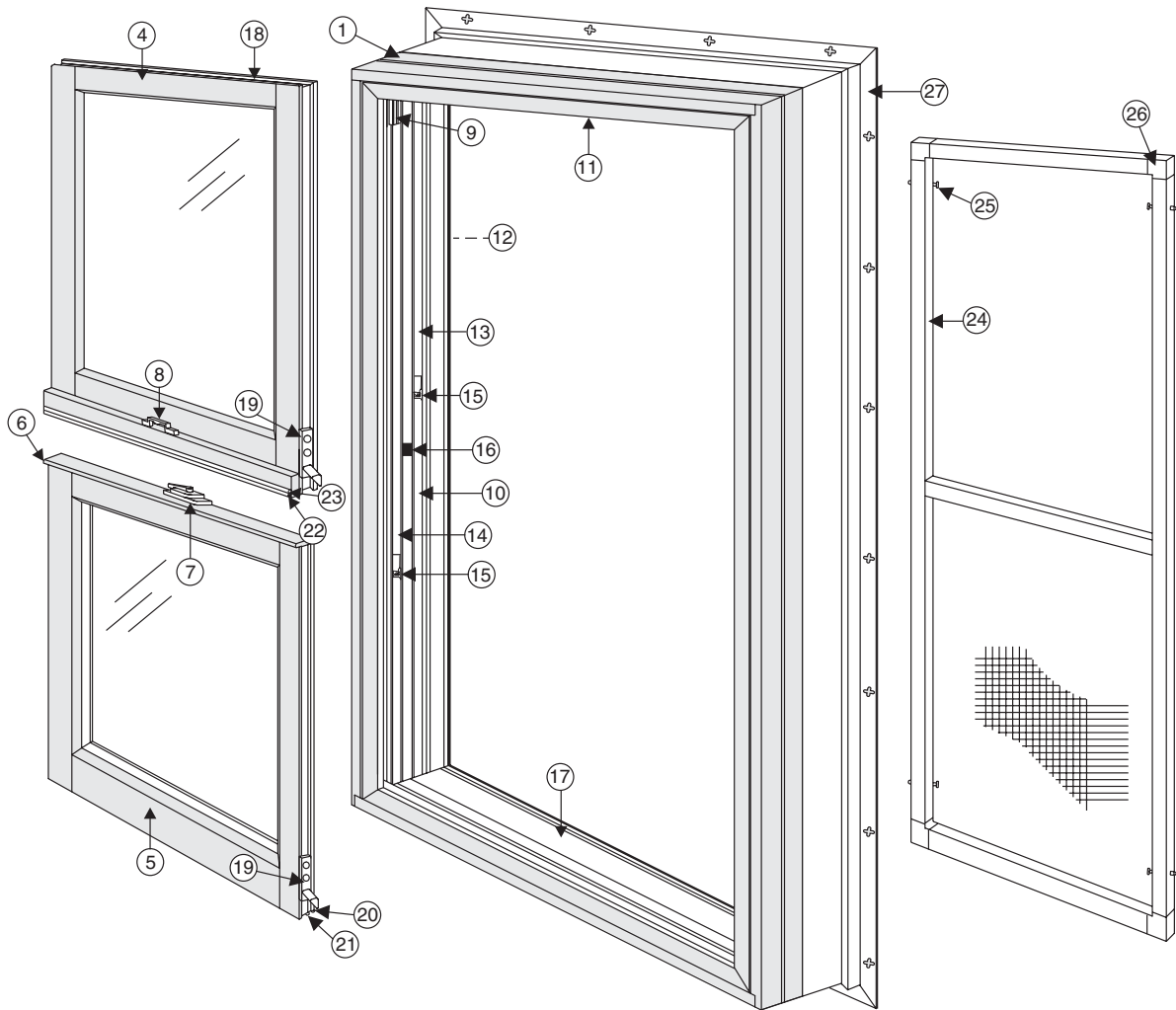
- 1) Wood Head Jamb
- 2) Wood Side Jamb
- 3) Wood Main Sill
- 4) Top Sash
- 5) Bottom Sash
- 6) Finger Lift
- 7) Sash Lock

Page 10  
Page 10  
Page 15

- 8) Sash Keeper
- 9) Sash Stop
- 10) Vinyl Side Jamb Liner
- 11) Vinyl Head Track
- 17) Vinyl Sill Cover
- 27) Vinyl Nailing Fin

Page 15  
Page 15  
Page 14  
Page 13  
Page 13

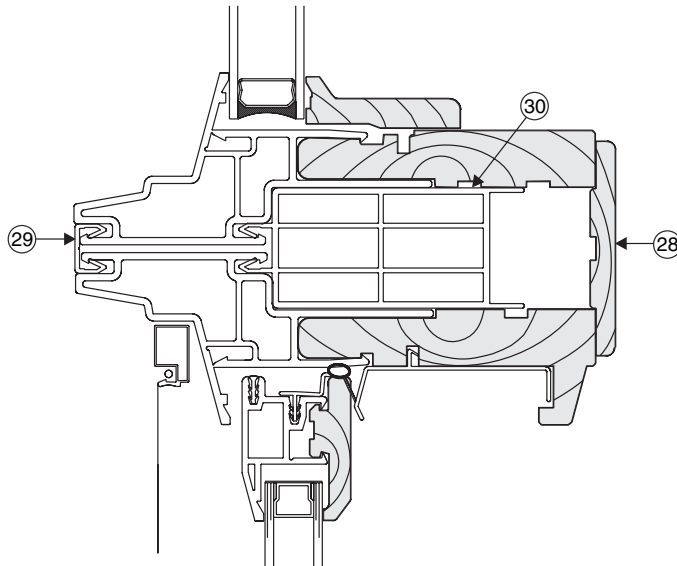
# Tilt Wood Window Interior Exploded View



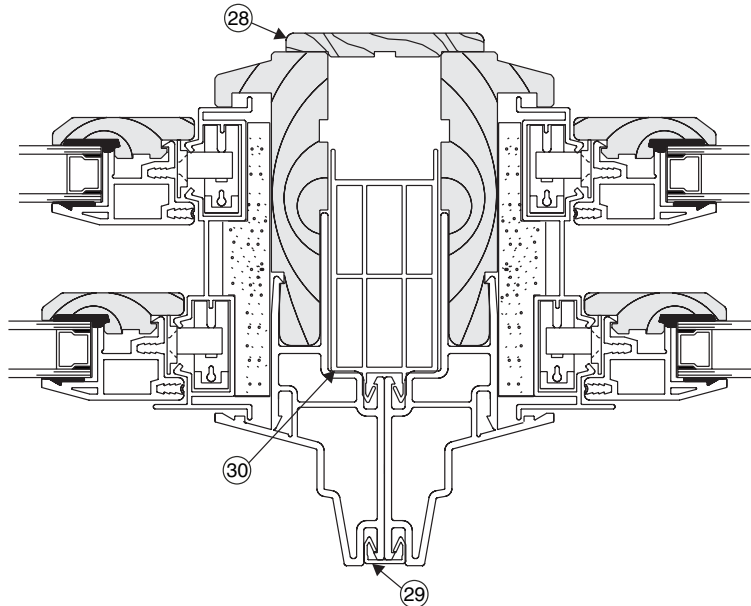
- |                             |             |                                    |         |
|-----------------------------|-------------|------------------------------------|---------|
| 1) Wood Head Jamb           |             | 16) Check Rail Dust Pad            | Page 17 |
| 4) Top Sash                 | Page 10     | 17) Vinyl Sill Cover               | Page 13 |
| 5) Bottom Sash              | Page 10     | 18) Sash Bulb Weather Strip        | Page 16 |
| 6) Finger Lift              |             | 19) Knife Point Cam Pivot Pin      | Page 15 |
| 7) Sash Lock                | Page 15     | 20) Bottom Sash Rail Weather Strip | Page 16 |
| 8) Sash Keeper              | Page 15     | 21) Bulb Weather Strip             | Page 16 |
| 9) Sash Stop                | Page 15     | 22) Pile Weather Strip             | Page 16 |
| 10) Vinyl Side Jamb Liner   | Page 14     | 23) Vinyl Top Checkrail Cover      | Page 13 |
| 11) Vinyl Head Track        | Page 13     | 24) Full Screen                    | Page 11 |
| 12) Side Jamb Liner Foam    | Page 17     | 25) Screen Plunger                 | Page 11 |
| 13) Top Sash Balance        | Page 6 & 18 | 26) Screen Corner Key              | Page 11 |
| 14) Bottom Sash Balance     | Page 6 & 18 | 27) Vinyl Nailing Fin              |         |
| 15) Knife Point Locking Cam | Page 6 & 15 |                                    |         |



# Tilt Wood Window Horizontal/Vertical Mull Cross Sections



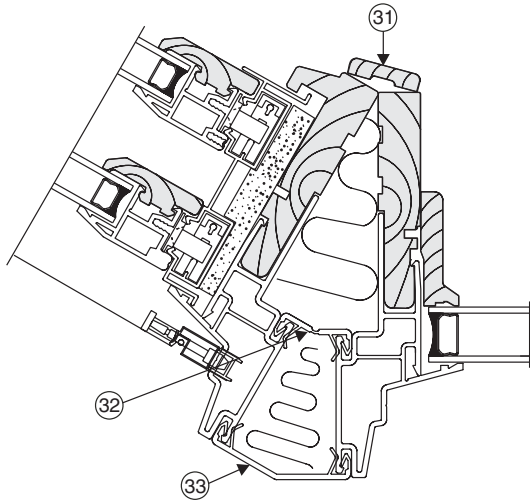
Horizontal Mull Section



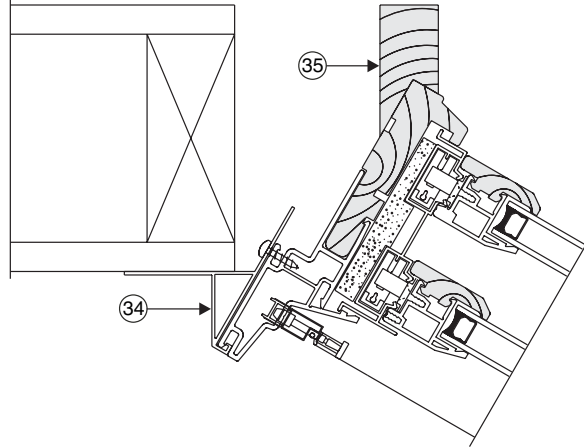
Vertical Mull Section

- |     |                           |               |
|-----|---------------------------|---------------|
| 28) | Inside Mull Strip Lattice | Pages 12 & 14 |
| 29) | Small Mull Cover          | Pages 12 & 14 |
| 30) | Interior Mull Filler      | Pages 12 & 14 |

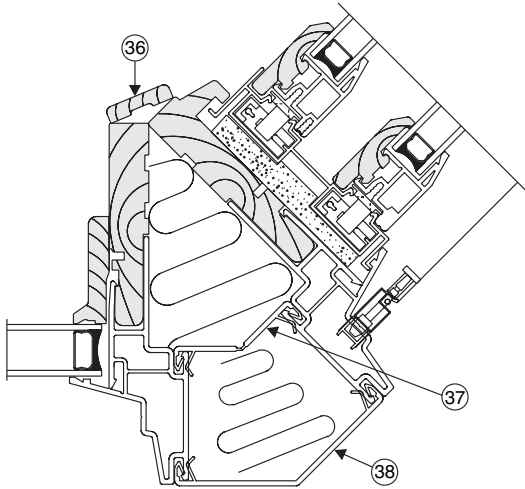
# Tilt Wood Window 30° and 45° Angle Bay Vertical Mull Cross Sections



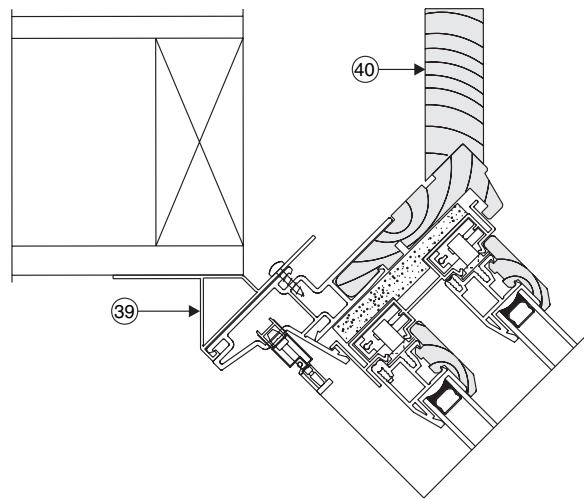
30° Angle Bay Cross Section



30° Angle Bay Jamb Return



45° Angle Bay Cross Section



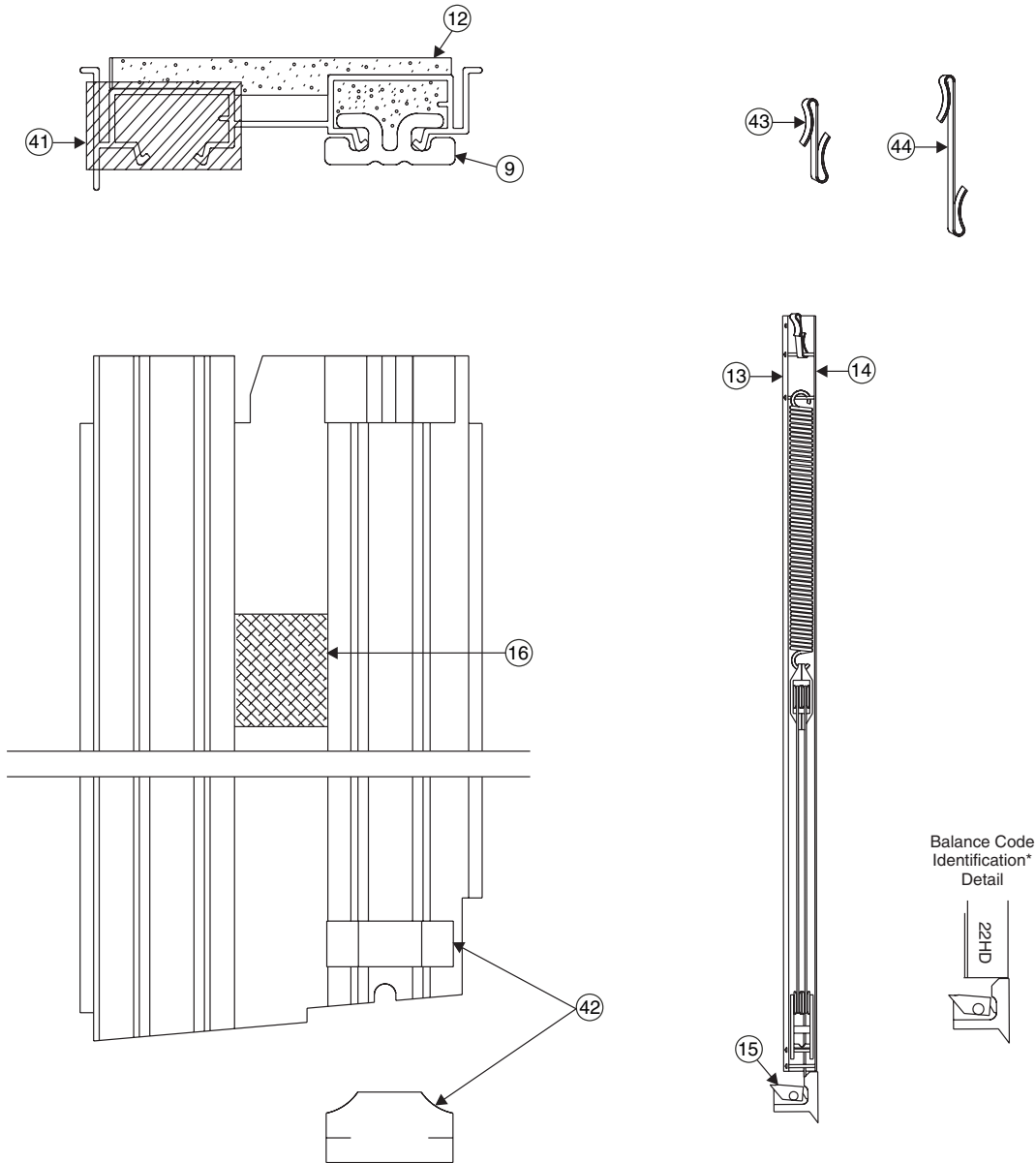
45° Angle Bay Jamb Return

- 31) 30° A-Bay Inside Mull Strip Lattice      Page 14
- 32) 30° A-Bay Interior Mull Cover            Page 19
- 33) 30° A-Bay Exterior Mull Cover          Page 19
- 34) 30° A-Bay Side Adapter/Jamb Return    Page 19
- 35) 30° A-Bay Jamb Extension

- 36) 45° A-Bay Inside Mull Strip Lattice      Page 14
- 37) 45° A-Bay Interior Mull Cover            Page 19
- 38) 45° A-Bay Exterior Mull Cover          Page 19
- 39) 45° A-Bay Side Adapter/Jamb Return    Page 20
- 40) 45° A-Bay Jamb Extension



# Tilt Wood Window Jamb Liner / Sash Balance Assembly



- 9) Sash Stop
- 12) Tilt Side Jamb Liner Foam
- 13) Top Sash Balance
- 14) Bottom Sash Balance
- 15) Knife Point Locking Cam
- 16) Checkrail Dust Pad
- 41) Tilt Head End and Side Jamb Kiss Cut End Plug
- 42) Tilt Side Jamb Liner Sill Foam Dust Pad
- 43) Tilt Top "S" Clip
- 44) Tilt Bottom "S" Clip

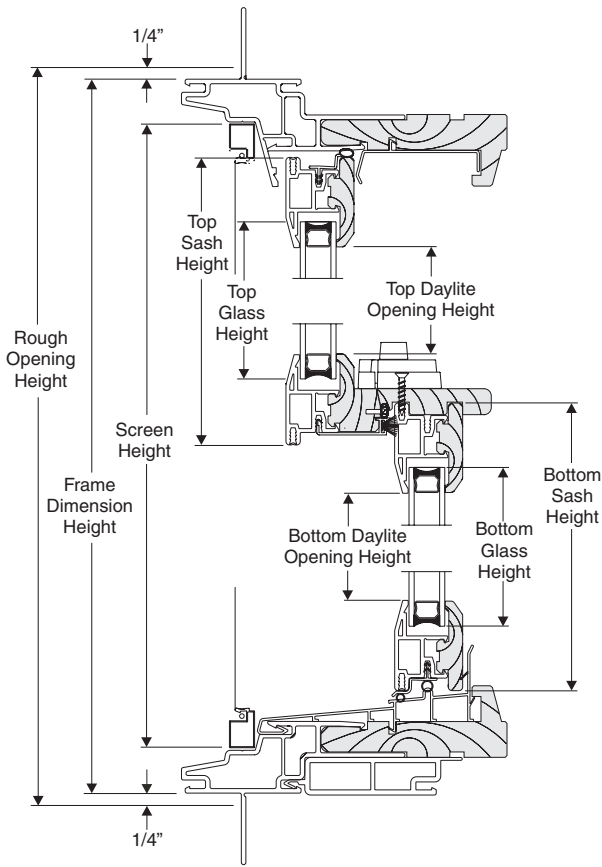
- Page 15
- Page 17
- Page 18
- Page 18
- Page 15
- Page 17
- Page 17
- Page 17
- Page 17
- Page 17

Balance Code  
Identification\*  
Detail

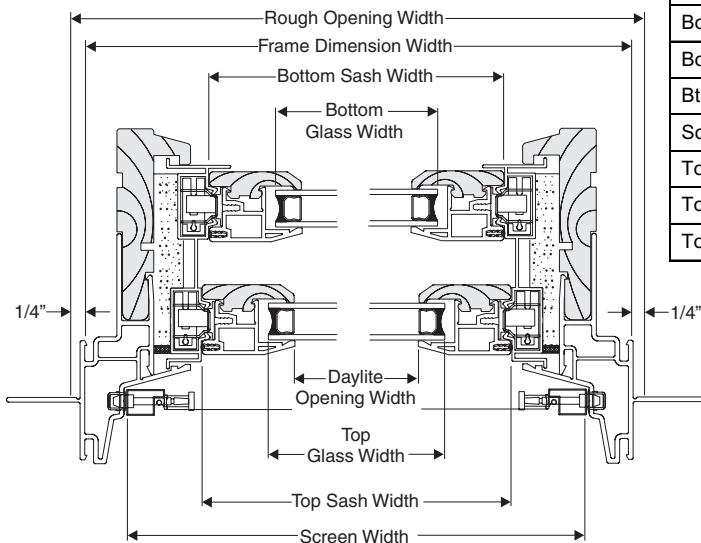




# Tilt Wood Window How To Measure To Order Replacement Parts



Frame Dimension Height	= R.O.	- 1/2"
Top Sash Height	= Top Glass	+ 2 1/4"
Top Glass Height	= 1/2 R.O.	- 3 7/8"
Top Daylite Opening Height	= 1/2 R.O.	- 4 3/4"
Screen Height	= R.O.	- 2 3/32"
Bottom Sash Height	= Bottom Glass	+ 2 1/4"
Bottom Glass Height	= 1/2 R.O.	- 3 5/8"
Bottom Daylite Opening Hgt.	= 1/2 R.O.	- 4 1/2"



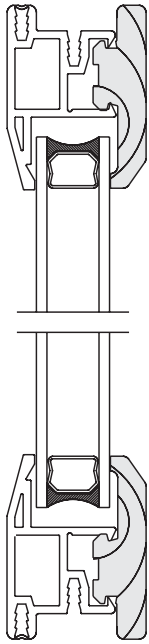
Frame Dimension Width	= R.O.	- 1/2"
Bottom Sash Width	= Bottom Glass	+ 2 1/4"
Bottom Glass Width	= R.O.	- 6 13/16"
Btm. Daylite Opening Width	= R.O.	- 7 11/16"
Screen Width	= R.O.	- 2 1/16"
Top Sash Width	= Top Glass	+ 2 1/4"
Top Glass Width	= R.O.	- 7 1/16"
Top Daylite Opening Width	= R.O.	- 7 15/16"



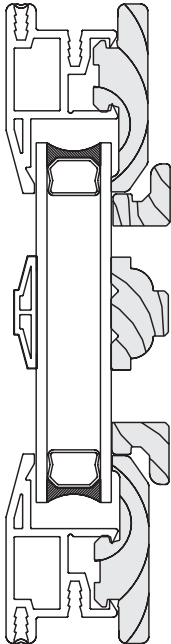
# Tilt Wood Window Sizes Available

<b>Ordering Size/ Rough Opening One Wide</b>	<b>Rough Opening Two Wide</b>	<b>Rough Opening Three Wide</b>
18 x 36	35 9/16 x 36	53 1/8 x 36
18 x 42	35 9/16 x 42	53 1/8 x 42
18 x 48	35 9/16 x 48	53 1/8 x 48
18 x 54	35 9/16 x 54	53 1/8 x 54
18 x 60	35 9/16 x 60	53 1/8 x 60
18 x 63	35 9/16 x 63	53 1/8 x 63
18 x 66	35 9/16 x 66	53 1/8 x 66
18 x 72	35 9/16 x 72	53 1/8 x 72
18 x 78	35 9/16 x 78	53 1/8 x 78
24 x 36	47 9/16 x 36	71 1/8 x 36
24 x 42	47 9/16 x 42	71 1/8 x 42
24 x 48	47 9/16 x 48	71 1/8 x 48
24 x 54	47 9/16 x 54	71 1/8 x 54
24 x 60	47 9/16 x 60	71 1/8 x 60
24 x 63	47 9/16 x 63	71 1/8 x 63
24 x 66	47 9/16 x 66	71 1/8 x 66
24 x 72	47 9/16 x 72	71 1/8 x 72
24 x 78	47 9/16 x 78	71 1/8 x 78
30 x 36	59 9/16 x 36	89 1/8 x 36
30 x 42	59 9/16 x 42	89 1/8 x 42
30 x 48	59 9/16 x 48	89 1/8 x 48
30 x 54	59 9/16 x 54	89 1/8 x 54
30 x 60	59 9/16 x 60	89 1/8 x 60
30 x 63	59 9/16 x 63	89 1/8 x 63
30 x 66	59 9/16 x 66	89 1/8 x 66
30 x 72	59 9/16 x 72	89 1/8 x 72
30 x 78	59 9/16 x 78	89 1/8 x 78
32 x 36	63 9/16 x 36	95 1/8 x 36
32 x 42	63 9/16 x 42	95 1/8 x 42
32 x 48	63 9/16 x 48	95 1/8 x 48
32 x 54	63 9/16 x 54	95 1/8 x 54
32 x 60	63 9/16 x 60	95 1/8 x 60
32 x 63	63 9/16 x 63	95 1/8 x 63
32 x 66	63 9/16 x 66	95 1/8 x 66
32 x 72	63 9/16 x 72	95 1/8 x 72
32 x 78	63 9/16 x 78	95 1/8 x 78
36 x 36	71 9/16 x 36	107 1/8 x 36
36 x 42	71 9/16 x 42	107 1/8 x 42
36 x 48	71 9/16 x 48	107 1/8 x 48
36 x 54	71 9/16 x 54	107 1/8 x 54
36 x 60	71 9/16 x 60	107 1/8 x 60
36 x 63	71 9/16 x 63	107 1/8 x 63
36 x 66	71 9/16 x 66	107 1/8 x 66
36 x 72	71 9/16 x 72	107 1/8 x 72
36 x 78	71 9/16 x 78	107 1/8 x 78
42 x 36	83 9/16 x 36	125 1/8 x 36
42 x 42	83 9/16 x 42	125 1/8 x 42
42 x 48	83 9/16 x 48	125 1/8 x 48
42 x 54	83 9/16 x 54	125 1/8 x 54
42 x 60	83 9/16 x 60	125 1/8 x 60
42 x 63	83 9/16 x 63	125 1/8 x 63
42 x 66	83 9/16 x 66	125 1/8 x 66
42 x 72	83 9/16 x 72	125 1/8 x 72
42 x 78	83 9/16 x 78	125 1/8 x 78

# Tilt Wood Window Glazing Options



5/8" Insul



5/8" Insul  
Simulated Divided Light (SDL)



PROSHIELD

# Tilt Wood Window Sash Replacement Order Form

Order Sash and Glass on Page 30.0

To Order Replacement Sash, Specify The Following:

1) Manufacturing Date / Glass Code (See Page 1): \_\_\_\_\_

2) Rough Opening Size (See Page 8):  
Width: \_\_\_\_\_ Height: \_\_\_\_\_

3) Glazing Option (See Page 9):

Insul

4) Glass Type:

Clear

Low E

Special Glass: (Obscure, Tinted, Patterned, Etc.) \_\_\_\_\_

SDL Configuration: Wide: \_\_\_\_\_ High: \_\_\_\_\_

(Example: Wide: 3 High: 2)

7/8" Bar

Grille in Airspace and Configuration:

Grille Type:

5/8" Rectangular Wide: \_\_\_\_\_ High: \_\_\_\_\_

11/16" Sculptured Rectangular Wide: \_\_\_\_\_ High: \_\_\_\_\_

15/16" Sculptured Rectangular Wide: \_\_\_\_\_ High: \_\_\_\_\_

Color:

White

Tan

Gas:

Argon

5) Sash Type:

Top

Bottom

6) Exterior Color:

White

Tan

7) Interior Type:

Prefinished White

Pine

8) Hardware:

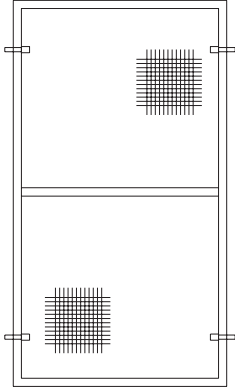
Goldtone

White


# Tilt Wood Window Screen Parts



## #24) Full Screen (3.0)



Screen Width = Rough Opening Width - 2 1/16"  
Screen Height = Rough Opening Height - 2 3/32"

COLOR	OPTION NUMBER
White	4082
Tan	4679

## #26) Screen Corner Key 7/16" (15.0)



COLOR	PART NUMBER
White	981632
Tan	981633

## #25) Screen Nylon Knob (15.0)

Screen Steel Spring  
Screen Plunger  
Screen Plunger Grommet



PART	PART NUMBER
Spring	979019
Plunger	979017

COLOR	SCREEN PLUNGER-KNOB-SPRING ASSEMBLY PART NUMBER	GROMMET PART NUMBER	KNOB PART NUMBER
White	979557	981671	979018
Tan	981506	981672	981474

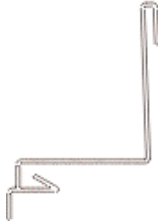


PROSHIELD

# Tilt Wood Window Horizontal Parts

When ordering Parts, view the unit from the exterior.

5" Head Mull Cover - Drip Cap (15.0)  
Extrusion #4012-V



COLOR	PART NUMBER
White	760848
Tan	760863

#28) Inside Mull Strip Lattice (194.1)



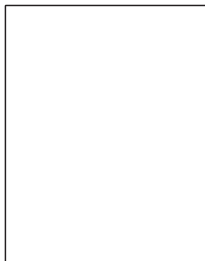
FINISH	PART NUMBER (14.0) BY R.O. HEIGHT	PART NUMBER (194)
Pine	115257	7410
finished	115258	7413

#29) Small Mull Cover (194.1)  
Extrusion #2322-V



COLOR	PART NUMBER *
White	741389
Tan	741390

Integral Sill Nailing Fin Mull Gasket (15.0)



PART NUMBER
981544

#30) Interior Mull Filler (194.1)  
Extrusion #2148-V



PART NUMBER *
741391

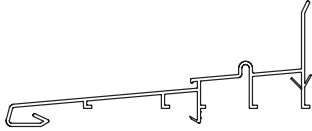
**NOTE:** \* Specify length in 6" increments.

# Tilt Wood Window Horizontal Parts (13.0)



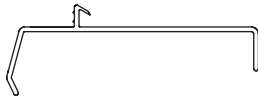
*When ordering Parts, view the unit from the exterior and specify R.O. width.*

#17) Vinyl Sill Cover  
Extrusion #2151-V



COLOR	PART NUMBER
White	115005
Tan	115054

#11) Vinyl Head Track  
Extrusion #2150-V



COLOR	PART NUMBER
White	115004
Tan	115053

#23) Vinyl Top Checkrail Cover  
Extrusion #2144



COLOR	PART NUMBER
White	115067
Tan	115009



PROSHIELD

# Tilt Wood Window Vertical Parts

When ordering Parts, view the unit from the exterior.

#28) Inside Mull Strip Lattice



FINISH	PART NUMBER (14.0) BY R.O. HEIGHT	PART NUMBER * (194.1)
Pine	115257	741072
Prefinished	115258	741387

#29) Small Mull Cover (194.1)  
Extrusion #2322-V



COLOR	PART NUMBER *
White	741389
Tan	741390

#31) 30° A-Bay Inside Mull Strip Lattice



FINISH	PART NUMBER (14.0) BY R.O. HEIGHT	PART NUMBER * (194.1)
Pine	115253	741419
Prefinished	115254	741429

#36) 45° A-Bay Inside Mull Strip Lattice



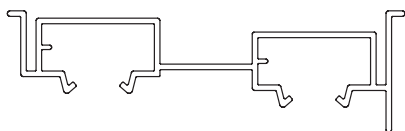
FINISH	PART NUMBER (14.0) BY R.O. HEIGHT	PART NUMBER * (194.1)
Pine	115255	741432
Prefinished	115256	741433

#30) Interior Mull Filler (194.1)  
Extrusion #2148-V



PART NUMBER *
741391

#10) Vinyl Side Jamb Liner (14.0)  
Extrusion #8150-V



COLOR	LEFT PART NUMBER	RIGHT PART NUMBER
White	115006	115007
Tan	115055	115056

**NOTE:** \* Specify length in 6" increments.



# Tilt Wood Window Miscellaneous Parts (15.0)



When ordering Parts, view the unit from the exterior.

## #7) Sash Lock Assembly



Right Locked



Right Unlocked

FINISH	LEFT PART NUMBER	RIGHT PART NUMBER
White	972477	972478
Goldtone	972474	972475



Left Locked



Left Unlocked

## #8) Sash Keeper



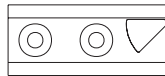
FINISH	PART NUMBER
White	972665
Goldtone	972729

## #9) Tilt Sash Stop Extrusion #8059

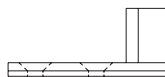


COLOR	PART NUMBER
White	760958
Tan	760959

## #19) Knife Point Cam Pivot Pin

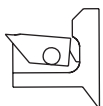


Left



LEFT PART NUMBER	RIGHT PART NUMBER
972571	972572

## #15) Knife Point Locking Cam



PART NUMBER
980791



PROSHIELD

# Tilt Wood Window Miscellaneous Parts

When ordering Parts, view the unit from the exterior.

#21) Bulb Weather Strip  
Extrusion #1099



COLOR	PART NUMBER *
White	741416
Tan	741417

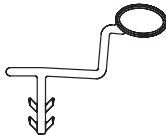
#22) Pro-S Pile Weather Strip with Center Fin



#27018758WHWF

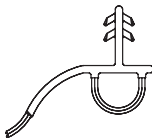
PRECUT IN INCHES (194.1) PART NUMBER *
741424

#18) Sash Bulb Weather Strip  
Extrusion #7066



COLOR	PART NUMBER *
White	741425
Tan	741426

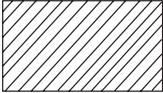




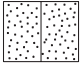

#20) Bottom Sash Rail Weather Strip  
Extrusion #8250-V



COLOR	PART NUMBER *
White	741427
Tan	741428

# Tilt Wood Window Miscellaneous Parts (15.0)



<p>#41) Tilt Head End and Side Jamb Kiss Cut End Plug</p> <div style="text-align: center; margin: 10px 0;">  </div>	<table border="1" style="margin: auto;"> <tr><td><b>PART NUMBER</b></td></tr> <tr><td>981707</td></tr> </table>	<b>PART NUMBER</b>	981707
<b>PART NUMBER</b>			
981707			
<p>#42) Tilt Side Jamb Liner Sill Foam Dust Pad - 7614</p> <div style="text-align: center; margin: 10px 0;">  </div>	<table border="1" style="margin: auto;"> <tr><td><b>PART NUMBER</b></td></tr> <tr><td>971005</td></tr> </table>	<b>PART NUMBER</b>	971005
<b>PART NUMBER</b>			
971005			
<p>#12) Tilt Side Jamb Liner Foam 3" x</p> <div style="text-align: center; margin: 10px 0;">  </div>	<table border="1" style="margin: auto;"> <tr><td><b>PART NUMBER * (194.2)</b></td></tr> <tr><td>971004</td></tr> </table>	<b>PART NUMBER * (194.2)</b>	971004
<b>PART NUMBER * (194.2)</b>			
971004			
<p>#43) Tilt Top "S" Clip - 7466</p> <div style="text-align: center; margin: 10px 0;">  </div>	<table border="1" style="margin: auto;"> <tr><td><b>PART NUMBER</b></td></tr> <tr><td>979131</td></tr> </table>	<b>PART NUMBER</b>	979131
<b>PART NUMBER</b>			
979131			
<p>#44) Tilt Bottom "S" Clip - 7464</p> <div style="text-align: center; margin: 10px 0;">  </div>	<table border="1" style="margin: auto;"> <tr><td><b>PART NUMBER</b></td></tr> <tr><td>979132</td></tr> </table>	<b>PART NUMBER</b>	979132
<b>PART NUMBER</b>			
979132			
<p>#16) Checkrail Dust Pad</p> <div style="text-align: center; margin: 10px 0;">    </div>	<table border="1" style="margin: auto;"> <tr><td><b>PART NUMBER</b></td></tr> <tr><td>981694</td></tr> </table>	<b>PART NUMBER</b>	981694
<b>PART NUMBER</b>			
981694			



# Tilt Wood Window Sash Balances Miscellaneous Parts (15.0)

<b>TOP OR SHORT "S" CLIP</b>				
<b>BALANCE CODE</b>	<b>WHITE REG* PART NUMBER</b>	<b>TAN REG* PART NUMBER</b>	<b>WHITE HD PART NUMBER</b>	<b>TAN HD PART NUMBER</b>
15	980963	980775	980964	980776
17	980970	980777	980971	980778
20	980981	980809	980982	980810
23	980991	980783	980992	980784
26	980845	980818	980846	980819
27	980999	980787	981000	980788
29	981003	980789	981004	980790
32	980851	980824	980852	980825
35	981018	980911	981019	980912

<b>BOTTOM OR LONG "S" CLIP</b>				
<b>BALANCE CODE</b>	<b>WHITE REG* PART NUMBER</b>	<b>TAN REG* PART NUMBER</b>	<b>WHITE HD PART NUMBER</b>	<b>TAN HD PART NUMBER</b>
13	980956	980866	980957	980867
16	980967	980806	980968	980807
19	980977	980779	980978	980780
22	980988	980812	980989	980813
25	980995	980785	980996	980786
26	980845	980818	980846	980819
28	980848	980821	980849	980822
31	981010	980901	981011	980902
34	980954	980909	980855	980828

**NOTE: \* REG sash balances show numerical value only.**

# Accessories (194.1)

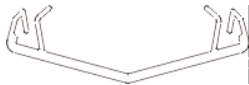


#32) 30° Angle Bay Interior Mull Cover  
Extrusion #1104-V



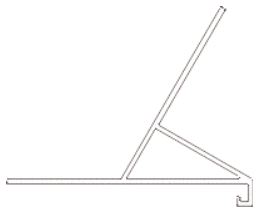
COLOR	PART NUMBER *
White	741392
Tan	741393

#33) 30° Angle Bay Exterior Mull Cover  
Extrusion #1103-V



COLOR	PART NUMBER *
White	741394
Tan	741395

#34) 30° Angle Bay Side Adapter/Jamb Return  
Extrusion #1585



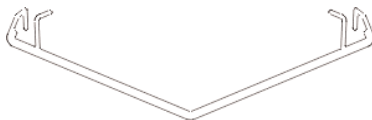
COLOR	PART NUMBER *
White	741396
Tan	741397

#37) 45° Angle Bay Interior Mull Cover  
Extrusion #1102-V



COLOR	PART NUMBER *
White	741398
Tan	741399

#38) 45° Angle Bay Exterior Mull Cover  
Extrusion #1101-V



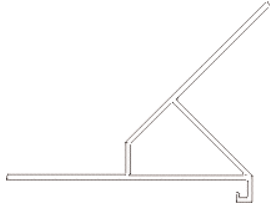
COLOR	PART NUMBER *
White	741400
Tan	741401

**NOTE: \* Specify length in 6" increments.**



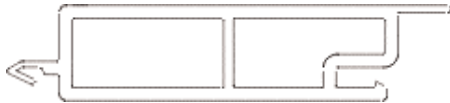
# Accessories (194.1)

#39) 45° Angle Bay Side Adapter/Jamb Return  
Extrusion #1508



COLOR	PART NUMBER *
White	741402
Tan	741403

Support Mulling Block  
Extrusion #2057-V



PART NUMBER *
741413

J-Channel w/o Nail Fin  
Extrusion #1060-V



COLOR	PART NUMBER *
White	741411
Tan	741412

Vinyl Brick Mould  
Extrusion #1059-V



COLOR	PART NUMBER *
White	741414
Tan	741415

**NOTE: \* Specify length in 6" increments.**