

723 Casement/Awning Wood Window Parts Reference Catalog

#011095 (Revised 08/05)

ProShield®

Premium Vinyl Clad Windows & Doors

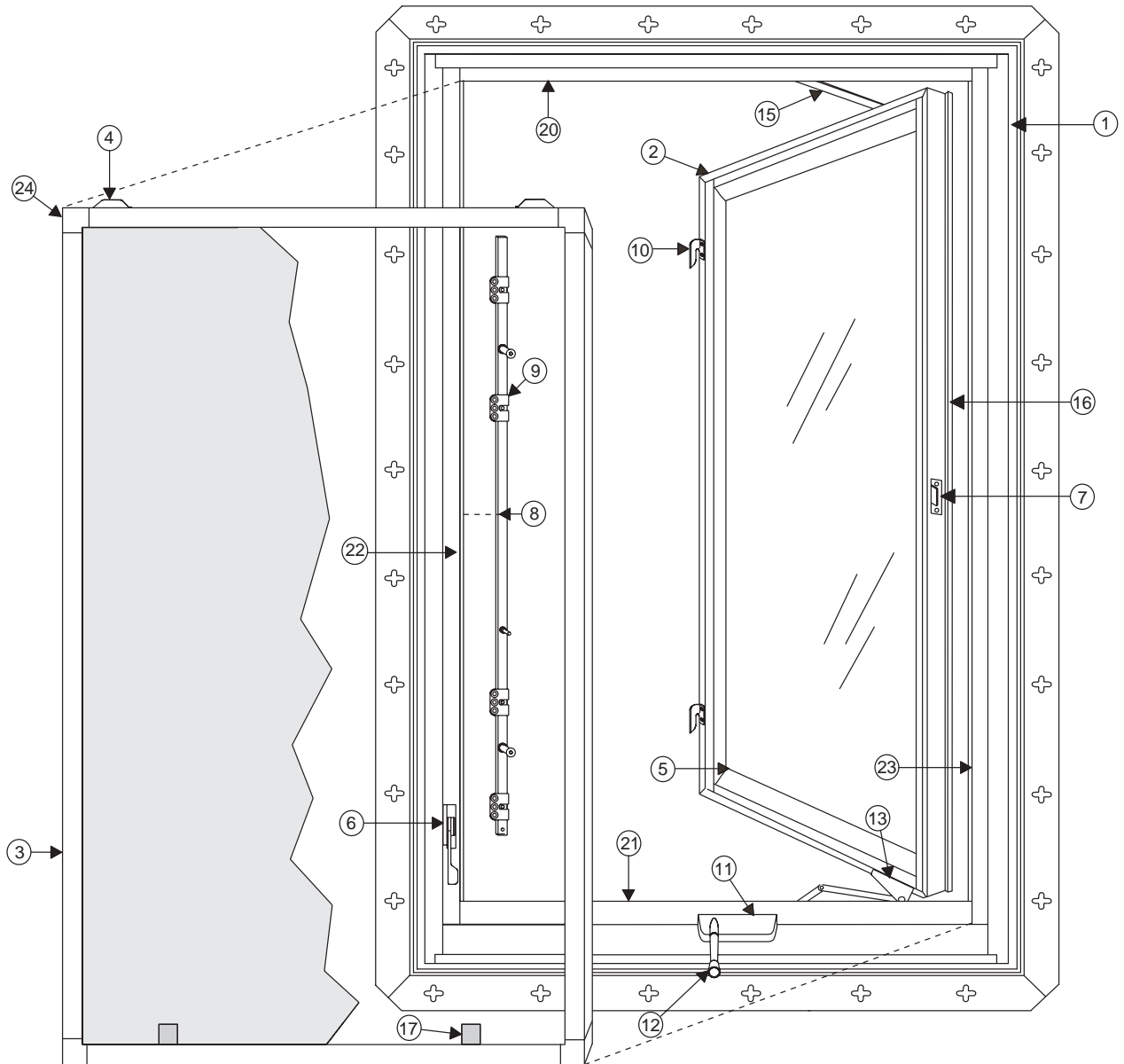


Weather Shield Mfg., Inc.
Medford, WI 54451 • 715/748-2100

Casement/Awning Wood Window

Exploded View - Interior

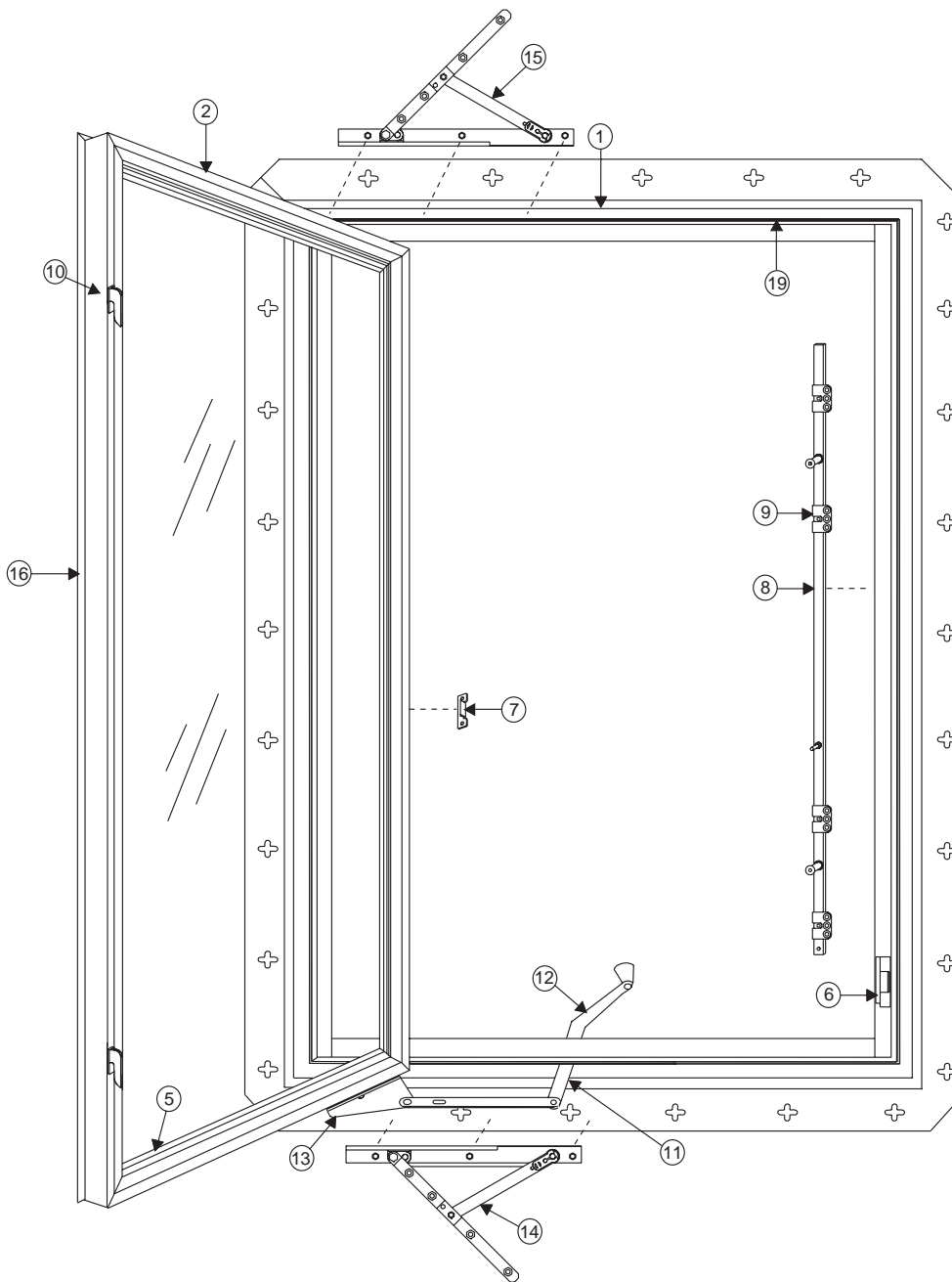
Left Hinged Casement Unit shown.



- | | | | |
|-----------------------------|--------------------------------|--|--------------------|
| 1) Main Frame | | 15) Top Hinge | Page 20 |
| 2) Sash | | 16) Pile Weather Strip | Page 21 |
| 3) Screen Insert | Page 9 | 17) Screen Tabs | Page 9 |
| 4) Tension Spring | Page 9 | 18) Vinyl Nailing Fin | |
| 5) Sash Glazing Bead | Pages 11, 12, 13
15, 16, 17 | 20) Head Jamb Stop (CA)
Side Jamb Stop (AW) | Page 12
Page 17 |
| 6) Lock Handle | Page 21 | 21) Operating Sill Cover (CA)
Operating Jamb Cover (AW) | Page 12
Page 17 |
| 7) Sash Snubber | Page 22 | 22) Operating Wood Sill Jamb Cover
w/rout (AW) | Page 13 |
| 8) Multi-Point Lock Tie Bar | Page 20 | Lock Side Jamb Cover w/rout (CA) | Page 16 |
| 9) Tie Bar Guide | Page 21 | 23) Operating Head Jamb Cover (AW) | Page 13 |
| 10) Sash Keeper | Page 21 | Hinge Side Jamb Cover (CA) | Page 16 |
| 11) Operator | Page 18 | 12) Crank Handle | Page 18 |
| 12) Crank Handle | Page 18 | 13) Operator Sash Bracket | Page 18 |
| 13) Operator Sash Bracket | Page 18 | | |



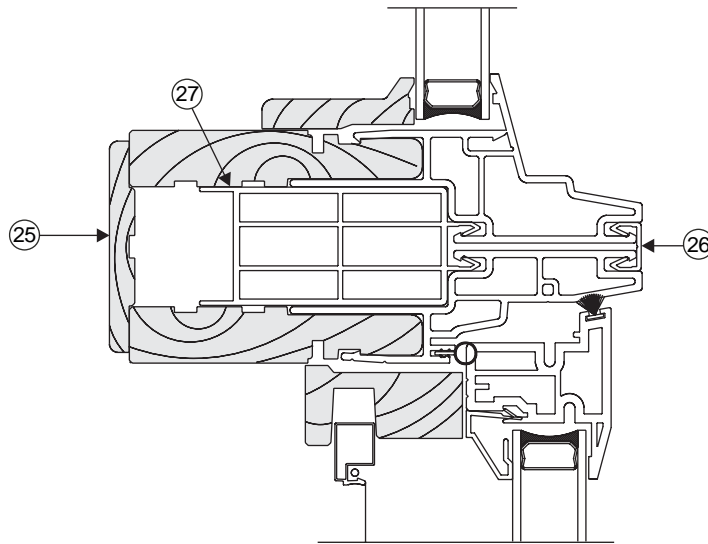
Left Hinged Casement Unit shown.



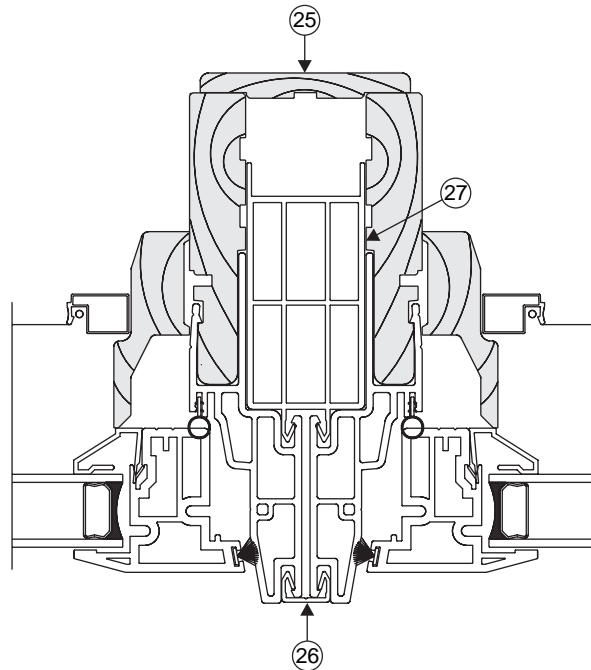
- | | | | |
|-----------------------------|--------------------------------|---------------------------|---------|
| 1) Main Frame | | 11) Operator | Page 18 |
| 2) Sash | | 12) Crank Handle | Page 18 |
| 5) Sash Glazing Bead | Pages 11, 12, 13
15, 16, 17 | 13) Operator Sash Bracket | Page 18 |
| 6) Lock Handle | Page 21 | 14) Bottom Hinge | Page 20 |
| 7) Sash Snubber | Page 22 | 15) Top Hinge | Page 20 |
| 8) Multi-Point Lock Tie Bar | Page 20 | 16) Pile Weather Strip | Page 21 |
| 9) Tie Bar Guide | Page 21 | 18) Vinyl Nailing Fin | |
| 10) Sash Keeper | Page 21 | 19) Bulb Weather Strip | Page 21 |

Casement Wood Window

Horizontal/Vertical Mull Cross Sections

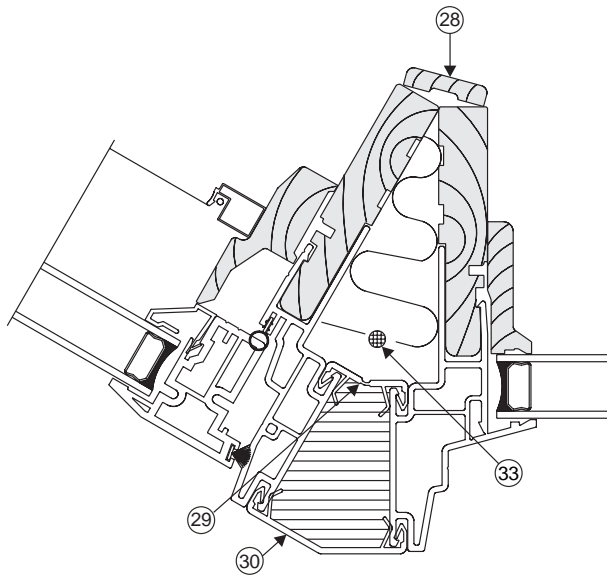


Horizontal Mull Section

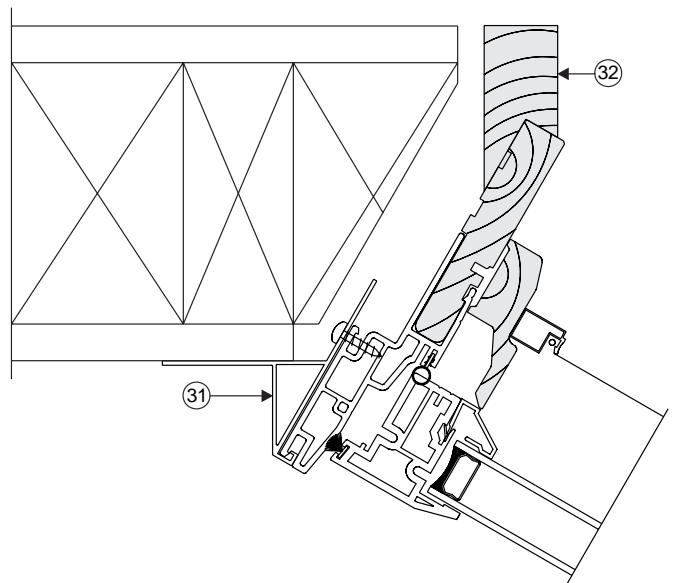


Vertical Mull Section

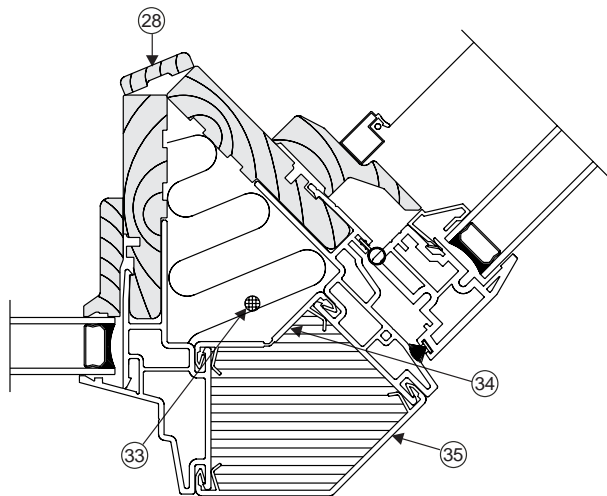
- | | |
|-------------------------------|---------------|
| 25) Inside Mull Strip Lattice | Pages 12 & 14 |
| 26) Small Mull Cover | Pages 10 & 14 |
| 27) Interior Mull Filler | Pages 10 & 16 |



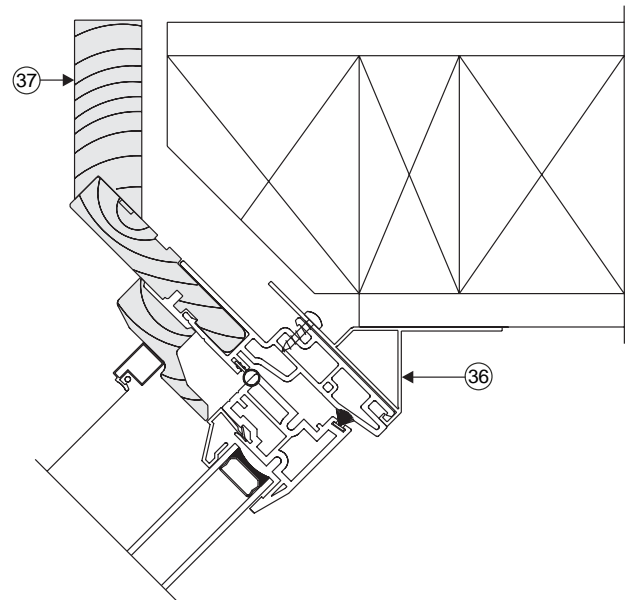
30° Angle Bay Cross Section



30° Angle Bay Jamb Return



45° Angle Bay Cross Section



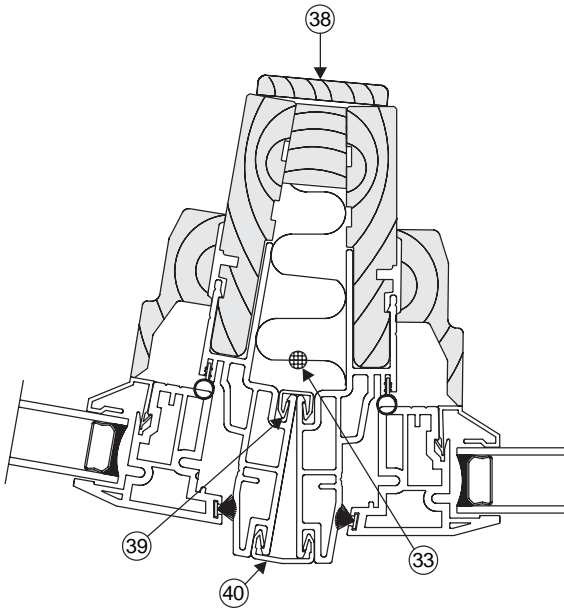
45° Angle Bay Jamb Return

- 28) 30° & 45° A-Bay Inside Mull Strip Lattice Page 14
- 29) 30° A-Bay Interior Mull Cover Page 24
- 30) 30° A-Bay Exterior Mull Cover Page 24
- 31) 30° A-Bay Side Adapter Page 24
- 32) 30° A-Bay Jamb Extension Page 16

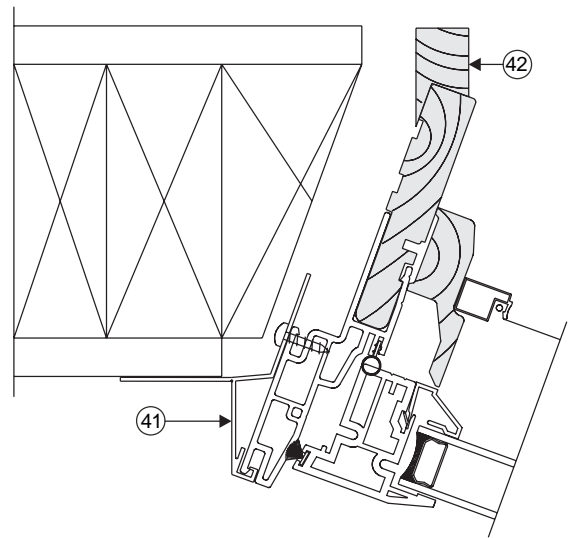
- 33) A-Bay & Bow Cable Support Kit Page 23
- 34) 45° A-Bay Interior Mull Cover Page 24
- 35) 45° A-Bay Exterior Mull Cover Page 24
- 36) 45° A-Bay Side Adapter Page 25
- 37) 45° A-Bay Jamb Extension Page 15

Casement Wood Window

10° Bow Vertical Mull Cross Sections

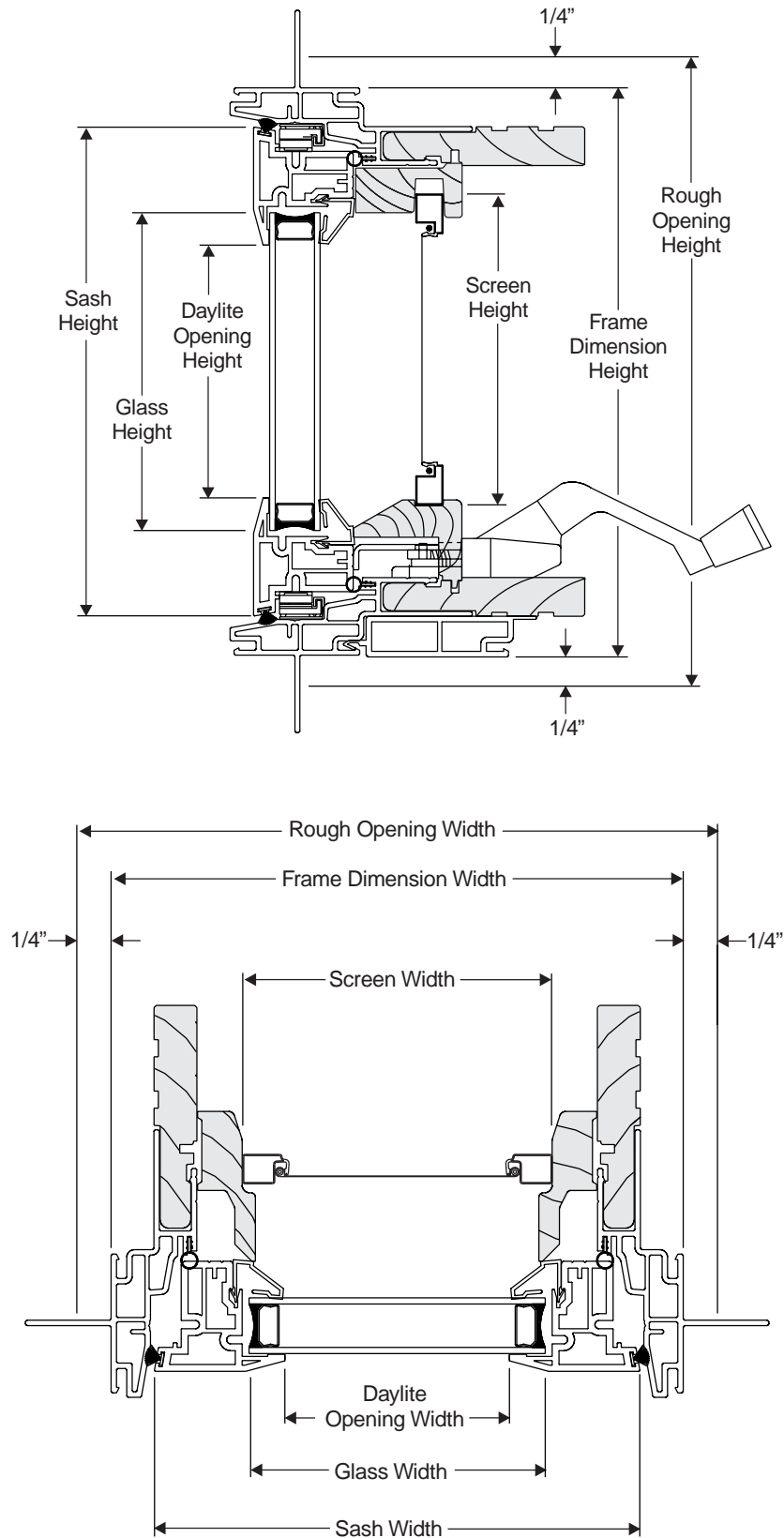


10° Bow Cross Section



10° Bow Jamb Return

33)	A-Bay & Bow Cable Support Kit	Page 28
38)	Bow Inside Mull Strip Lattice	Page 19
39)	Bow Window Interior Mull Cover	Page 30
40)	Bow Window Exterior Mull Cover	Page 30
41)	Bow Side Adapter/Jamb Return	Page 30
42)	Bow Jamb Extension	Page 20

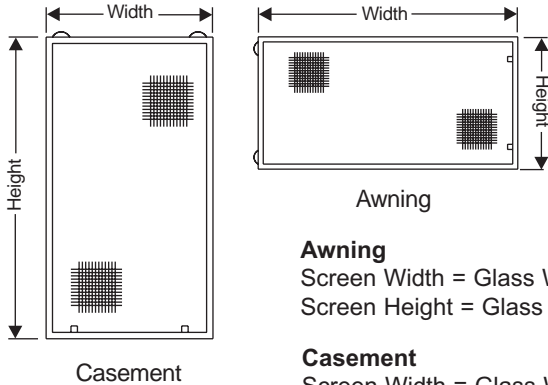


Casement/Awning Wood Window Measurement Conversion Table

If you know Jamb Size and want to determine:		Add or Subtract from Jamb Size:	Width	Height
	Sash Size		- 1-9/32" [32mm]	- 1-9/32" [32mm]
	Glass Size		- 4-1/8" [105mm]	- 4-1/8" [105mm]
	Rough Opening		+ 1/2" [13mm]	+ 1/2" [13mm]
	Daylight Opening		- 5" [127mm]	- 5" [127mm]
If you know Sash Size and want to determine:		Add or Subtract from Sash Size:	Width	Height
	Jamb Size		- 1-9/32" [32mm]	- 1-9/32" [32mm]
	Glass Size		- 2-7/8" [73mm]	- 2-7/8" [73mm]
	Rough Opening		+ 1-3/4" [45mm]	+ 1-3/4" [45mm]
	Daylight Opening		- 3-3/4" [95mm]	- 3-3/4" [95mm]
If you know Glass Size and want to determine:		Add or Subtract from Glass Size:	Width	Height
	Jamb Size		- 4-1/8" [105mm]	- 4-1/8" [105mm]
	Sash Size		+ 2-7/8" [73mm]	+ 2-7/8" [73mm]
	Rough Opening		+ 4-5/8" [118mm]	+ 4-5/8" [118mm]
	Daylight Opening		- 7/8" [22mm]	- 7/8" [22mm]
If you know Rough Opening and want to determine:		Add or Subtract from Rough Opening:	Width	Height
	Jamb Size		- 1/2" [13mm]	- 1/2" [13mm]
	Sash Size		- 1-3/4" [45mm]	- 1-3/4" [45mm]
	Glass Size		- 4-5/8" [118mm]	- 4-5/8" [118mm]
	Daylight Opening		- 5-1/2" [140mm]	- 5-1/2" [140mm]
If you know Daylight Opening and want to determine:		Add or Subtract from Daylight Opening:	Width	Height
	Jamb Size		+ 5" [127mm]	+ 5" [127mm]
	Sash Size		+ 3-3/4" [95mm]	+ 3-3/4" [95mm]
	Glass Size		+ 7/8" [22mm]	+ 7/8" [22mm]
	Rough Opening		+ 5-1/2" [140mm]	+ 5-1/2" [140mm]



#3) Screen (CA - 31.0); (AW - 41.0)

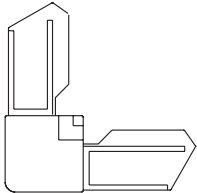


Awning
Screen Width = Glass Width - 1/8"
Screen Height = Glass Height + 5/16"

Casement
Screen Width = Glass Width + 5/16"
Screen Height = Glass Height - 1/8"

COLOR	OPTION NUMBER
White	4181
Goldtone	4211

#24) Full Screen Corner Key 7/16" (CA - 39.0); (AW - 46.0)



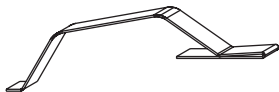
COLOR	PART NUMBER
White	981632
Goldtone	979123

#17) Screen Tabs Gray 13/16" (CA - 39.0); (AW - 46.0)
Extrusion #2023



PART NUMBER
750763

#4) Screen Tension Leaf Spring (CA - 39.0); (AW - 46.0)



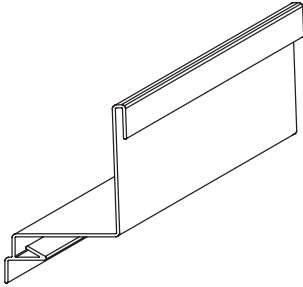
PART NUMBER
972570

Casement/Awning Wood Window

Horizontal Parts

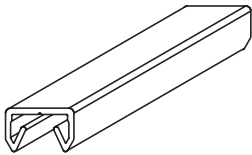
When ordering Parts, view the unit from the exterior.

5" Head Mull Cover - Drip Cap (CA - 39.0; AW - 46.0)
Extrusion #4012-V



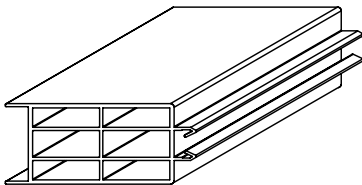
COLOR	PART NUMBER
White	760848
Tan	760863

#26 Small Mull Cover (194.1)
Extrusion #2322-V



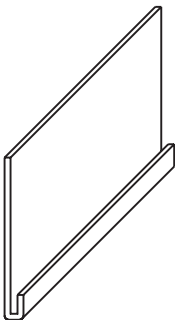
COLOR	* PART NUMBER
White	741389
Tan	741390

#27 Interior Mull Filler (194.1)
Extrusion #2148-V



* PART NUMBER
741391

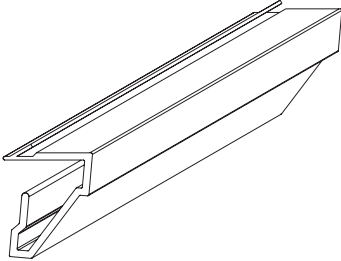
Integral Sill Nailing Fin Mull Gasket (CA - 39.0; AW - 46.0)



PART NUMBER
981544



#5) Vinyl Glazing Bead (CA - 37.0; AW - 44.0)
Extrusion #2062-V



COLOR	RAILS PART NUMBER	* CUT TO LENGTH (194.1) PART NUMBER
White	325345	741436
Tan	325346	741437

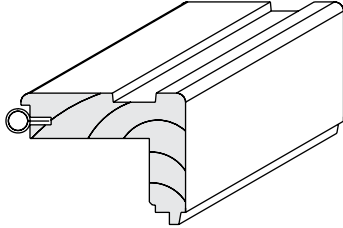
NOTE: Specify Ordering Size/Rough Opening when ordering part. *Specify length in 6" increments.

Casement/Awning Wood Window

Horizontal Parts (37.0)

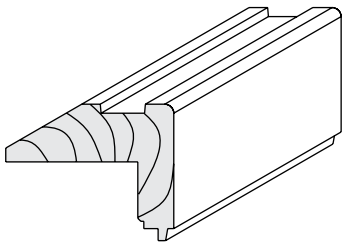
When ordering Parts, view the unit from the exterior. Specify Ordering Size/Rough Opening when ordering part. Specify length in 6" increments.

Operating Sill Cover {E 1-98}



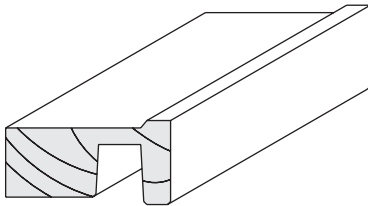
Use #21 for replacement of this part.

#21) Operating Sill Cover



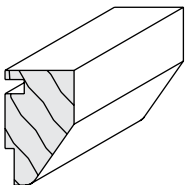
FINISH	HINGE LEFT PART NUMBER	HINGE RIGHT PART NUMBER
Pine	325008	325020
Prefinished	325254	325255
Oak	325312	325313

#20) Head Jamb Stop/Stationary Sill Cover



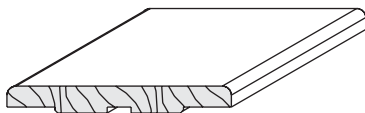
FINISH	PART NUMBER
Pine	325047
Prefinished	325257
Oak	325311

#5) 15/16" Interior Wood SDL Glazing Bead



FINISH	PART NUMBER
Pine	325300
Prefinished	325337
Oak	325339

#25) Inside Mull Strip Lattice (194.1)

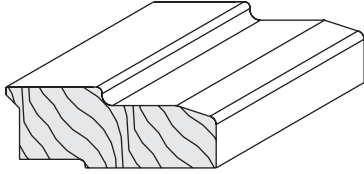


FINISH	* PART NUMBER
Pine	741072
Prefinished	741387
Oak	741705



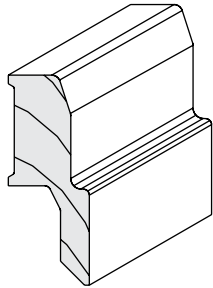
Specify Ordering Size/Rough Opening when ordering part.

Stationary Wood Jamb Cover



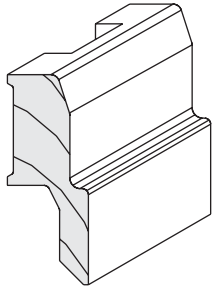
FINISH	HEAD PART NUMBER	SILL PART NUMBER
Pine	425096	425093
Prefinished	425097	425094
Oak	425098	425095

#23) Operating Head Jamb Cover



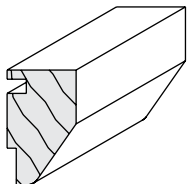
FINISH	LEFT PART NUMBER	RIGHT PART NUMBER
Pine	425081	425082
Prefinished	425083	425084
Oak	425085	425086

#22) Operating Wood Sill Jamb Cover w/Rout



FINISH	LEFT PART NUMBER	RIGHT PART NUMBER
Pine	425087	425088
Prefinished	425089	425090
Oak	425091	425092

#5) 15/16" Interior Wood SDL Glazing Bead



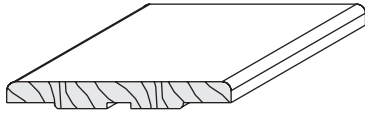
FINISH	PART NUMBER
Pine	425075
Prefinished	425076
Oak	425077

Casement/Awning Wood Window

Vertical Parts

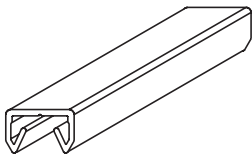
When ordering Parts, view the unit from the exterior.

#25) Inside Mull Strip Lattice (194.1)



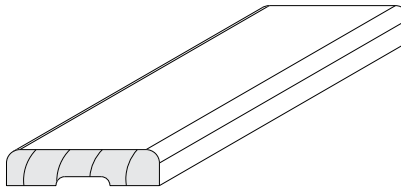
FINISH	* PART NUMBER
Pine	741072
Prefinished	741387
Oak	741705

#26) Small Mull Cover (194.1)
Extrusion #2322-V



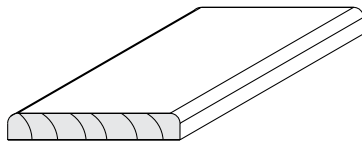
COLOR	* PART NUMBER
White	741389
Tan	741390

#28) 30° & 45° A-Bay Inside Mull Strip Lattice



FINISH	30° A-BAY		45° A-BAY	
	PART NUMBER (38.0) BY R.O. HEIGHT	* PART NUMBER (194.1)	PART NUMBER (38.0) BY R.O. HEIGHT	* PART NUMBER (194.1)
Pine	325265	741419	325266	741432
Prefinished	325263	741429	325267	741433
Oak	325327	741707	325327	741707

#38) Bow Inside Mull Strip Lattice

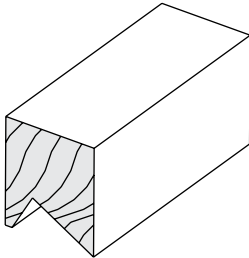


FINISH	PART NUMBER (38.0) BY R.O. HEIGHT	* PART NUMBER (194.1)
Pine	325055	741430
Prefinished	325264	741431
Oak	325328	741706



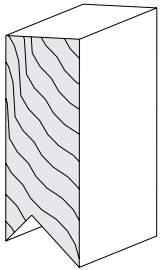
Specify Ordering Size/Rough Opening when ordering part.

#32) 30° Angle Bay Jamb Extension
4-9/16 Jamb



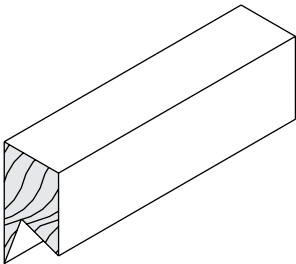
FINISH	PART NUMBER
Pine	325341
Prefinished	325343
Oak	325322

#37) 45° Angle Bay Jamb Extension
4-9/16 Jamb



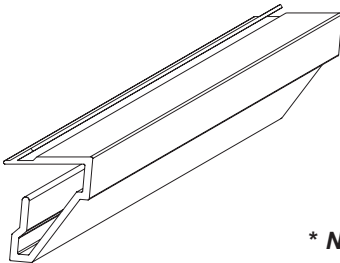
FINISH	PART NUMBER
Pine	325342
Prefinished	325344
Oak	325321

#42) Bow Jamb Extension



FINISH	4 WIDE PART NUMBER	5 WIDE PART NUMBER
Pine	325349	325351
Prefinished	325350	325352
Oak	325323	325324

#5) Vinyl Glazing Bead (CA - 38.0; AW - 45.0)
Extrusion #2062-V



COLOR	STILES PART NUMBER	* CUT TO LENGTH (194.1) PART NUMBER
White	325347	741436
Tan	325348	741437

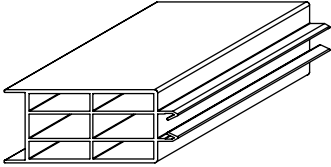
*** NOTE: Specify length in 6" increments.**

Casement/Awning Wood Window

Vertical Parts (38.0)

When ordering Parts, view the unit from the exterior.

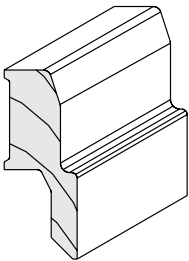
#27) Interior Mull Filler (194.1)
Extrusion #2148-V



* PART NUMBER
741391

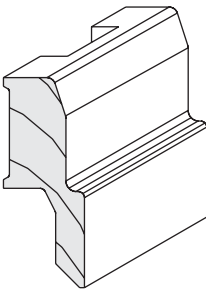
***NOTE: Specify length in 6" increments.**

#23) Hinge Side Jamb Cover



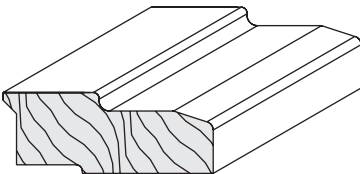
FINISH	HINGE LEFT PART NUMBER	HINGE RIGHT PART NUMBER
Pine	325333	325334
Prefinished	325335	325336
Oak	325306	325307

#22) Lock Side Jamb Cover w/Rout



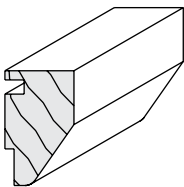
FINISH	HINGE LEFT PART NUMBER	HINGE RIGHT PART NUMBER
Pine	325283	325284
Prefinished	325285	325286
Oak	325309	325310

Stationary Wood Side Jamb Cover



FINISH	LEFT PART NUMBER	RIGHT PART NUMBER
Pine	325353	325354
Prefinished	325355	325356
Oak	325308	325357

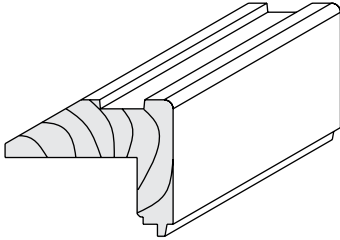
#5) 15/16" Interior Wood SDL Glazing Bead



FINISH	PART NUMBER
Pine	325301
Prefinished	325338
Oak	325340

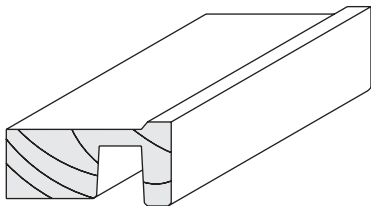


#21) Operating Jamb Cover



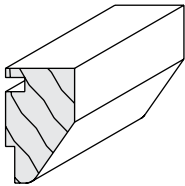
FINISH	LEFT PART NUMBER	RIGHT PART NUMBER
Pine	425066	425069
Prefinished	425067	425070
Oak	425068	425071

#20) Side Jamb Stop/Operating and Stationary



FINISH	PART NUMBER
Pine	425072
Prefinished	425073
Oak	425074

#5) 15/16" Interior Wood SDL Glazing Bead



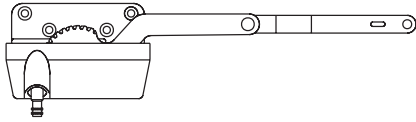
FINISH	PART NUMBER
Pine	425078
Prefinished	425079
Oak	425080

Casement/Awning Wood Window

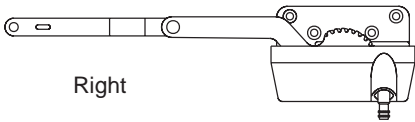
Miscellaneous Parts (CA - 39.0; AW - 46.0)

When ordering Parts, view the unit from the exterior.

#11) CA/AW Split Arm Operator



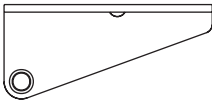
Left



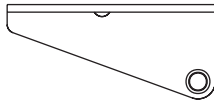
Right

COLOR	HINGE LEFT PART NUMBER	HINGE RIGHT PART NUMBER
White	972959	972960
Goldtone	972004	972012
Seacoast White	972976	972977
Seacoast Goldtone	972788	972789

#13) Operator Sash Bracket



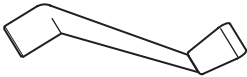
Left



Right

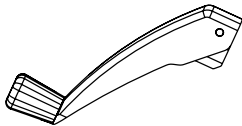
TYPE	HINGE LEFT PART NUMBER	HINGE RIGHT PART NUMBER
Standard	972010	972039
Seacoast	972782	972781

#12) Crank Handle



COLOR	PART NUMBER
White	972989
Goldtone	972860

Folding Crank Handle



FINISH	PART NUMBER
White	940234
Goldtone	940204



2" Handle Extension



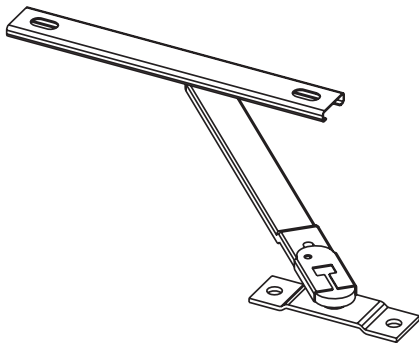
FINISH	PART NUMBER
Goldtone	972067
Bright Brass	972438
White	940063
Pewter	940611

4" Handle Extension



FINISH	PART NUMBER
Goldtone	972068
Bright Brass	972439
White	940064
Pewter	940612

Sash Limiting Device w/4 Screws



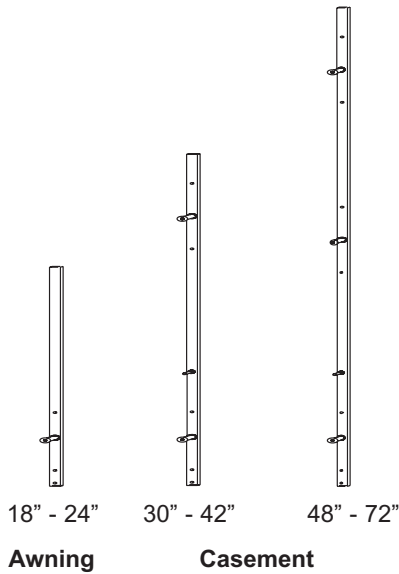
PART	PART NUMBER
Standard	972167
Seacoast	972252

Casement/Awning Wood Window

Miscellaneous Parts (CA-39.0; AW - 46.0)

When ordering Parts, view the unit from the exterior.

#8) Lock Tie Bar



POINTS	R.O. HEIGHT	STANDARD PART NUMBER	STAINLESS PART NUMBER
1 point	18" & 24"	940670	940683
2 point	30"	940672	940685
2 point	36"	940673	940686
2 point	42"	940674	940687
3 point	48"	940675	940688
3 point	54"	940676	940689
3 point	60"	940677	940690
3 point	66"	940678	940691
3 point	72"	940679	940692

Awning Hinge Clip



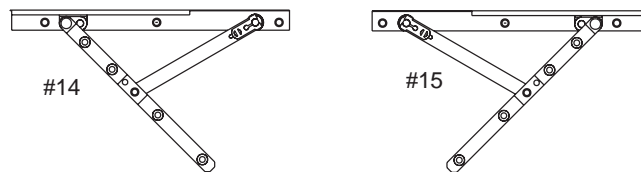
PART NUMBER
941237

#14) Hinge Arm & Track 10" & 14" (L - Op - Btm / R - Op - Top)

#15) Hinge Arm & Track 10" & 14" (L - Op - Top / R - Op - Btm)

#7 x 1/2" Phillips Flat Head (Track) Screw - #960033 (each)

#7 x 5/8" Phillips Flat Head Stainless Steel (Arm) Screw - #971085 (each)



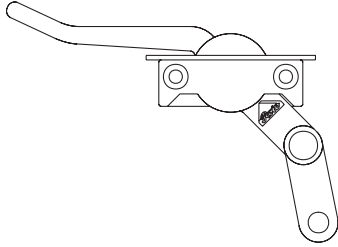
ASSEMBLY			
TYPE	LEFT PART NUMBER	RIGHT PART NUMBER	PAIR PART NUMBER
10" Standard	972001	972002	312939
14" Standard	941074	941075	323593
10" Stainless Steel	972144	972145	312959
14" Stainless Steel	941047	941048	323594

NOTE: 14" Hinges are used for units that are 32x72 rough opening.



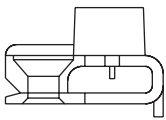
When ordering Parts, view the unit from the exterior.

#6) Lock Handle



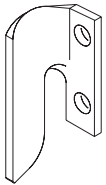
COLOR	LEFT PART NUMBER	RIGHT PART NUMBER
White	940668	940666
Goldtone	940669	940667

#9) Tie Bar Guide Housing (Black Plastic)



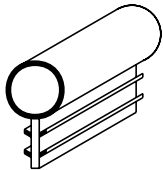
PART NUMBER
940682

#10) Sash Keeper



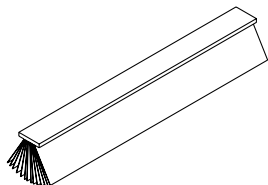
TYPE	LEFT PART NUMBER	RIGHT PART NUMBER
Standard	940681	940680
Stainless Steel	940694	940693

#19) Bulb Weather Strip (194.1)
Extrusion #1099



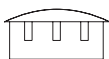
COLOR	PART NUMBER *
White	741416
Tan	741417

#16) Pile Weather Strip with Center Fin {S 9-8-98}
#35018758WHWF



22' PIECES (39.0 & 46.0) PART NUMBER	PRECUT IN INCHES (194.1) * PART NUMBER
300494	741418

3/8" Stationary Hole Plug

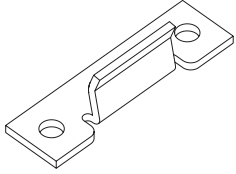


COLOR	PART NUMBER
White	980572
Tan	981458

Casement/Awning Wood Window

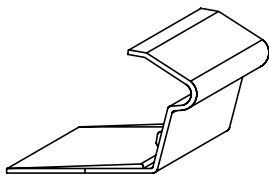
Miscellaneous Parts (CA-39.0; AW - 46.0)

#7) Concealed Sash Snubber



TYPE	PART NUMBER
Standard	972488
Stainless Steel	940408

Grille Clips

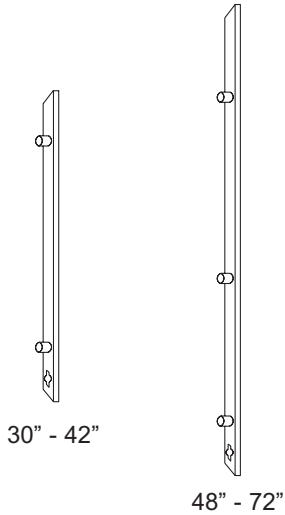


NUMBER	7 CLIPS PART NUMBER	11 CLIPS PART NUMBER	16 CLIPS PART NUMBER
1201	190119	190120	190121

		R.O. WIDTH						
		18"	24"	30"	32"	36"	42"	48"
R. O. H E I G H T	18"	7	7	7	7	7	7	11
	24"	7	7	7	7	7	7	11
	30"	7	7	7	7	7	11	11
	36"	7	7	7	7	11	11	11
	42"	7	7	11	11	11	11	11
	48"	7	7	11	11	11	11	11
	54"	11	11	11	11	16	16	16
	60"	11	11	11	11	16	16	16
	66"	11	11	11	11	16	16	16
	72"	11	11	11	11	16	16	16

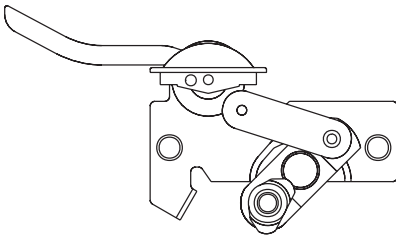


Lock Tie Bar {E 5-00}



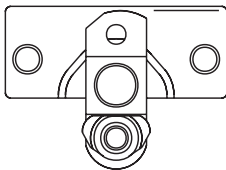
POINTS	R.O. HEIGHT	STANDARD PART NUMBER	STAINLESS PART NUMBER
2 point	30"	940473	940481
2 point	36"	940474	940482
2 point	42"	940475	940483
3 point	48"	940476	940484
3 point	54"	940477	940485
3 point	60"	940478	940486
3 point	66"	940479	940487
3 point	72"	940480	940488

Concealed Master Lock w/Escutcheon Plate (39.0) {E 5-00}



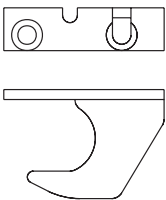
COLOR	LEFT PART NUMBER	RIGHT PART NUMBER
White	940195	940194
Goldtone	972954	972953

Concealed Slave Lock (39.0) {E 5-00}



TYPE	PART NUMBER
Standard	972735
Stainless Steel	940494

Sash Keeper (39.0) {E 5-00}

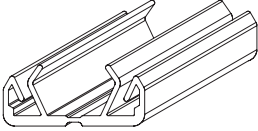


TYPE	LEFT PART NUMBER	RIGHT PART NUMBER
Standard	972736	972737
Stainless Steel	940495	940496

Casement/Awning Wood Window Accessories (194.1)

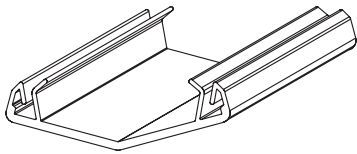
Specify length in 6" increments.

#29) 30° Angle Bay Interior Mull Cover
Extrusion #1104-V



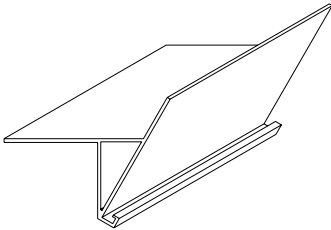
COLOR	PART NUMBER
White	741392
Tan	741393

#30) 30° Angle Bay Exterior Mull Cover
Extrusion #1103-V



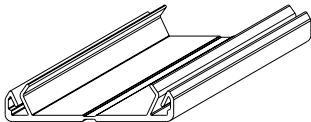
COLOR	PART NUMBER
White	741394
Tan	741395

#31) 30° Angle Bay Side Adapter/Jamb Return
Extrusion #1585



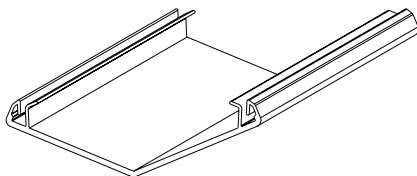
COLOR	PART NUMBER
White	741396
Tan	741397

#34) 45° Angle Bay Interior Mull Cover
Extrusion #1102-V



COLOR	PART NUMBER
White	741398
Tan	741399

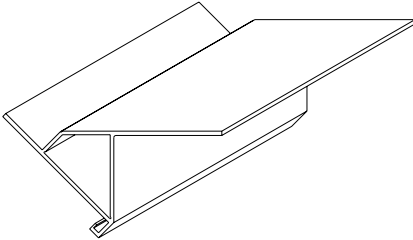
#35) 45° Angle Bay Exterior Mull Cover
Extrusion #1101-V



COLOR	PART NUMBER
White	741400
Tan	741401

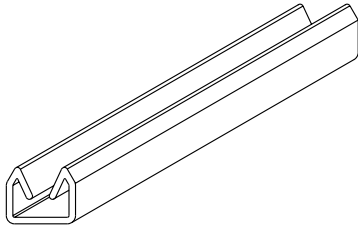


#36) 45° Angle Bay Side Adapter/Jamb Return
Extrusion #1508



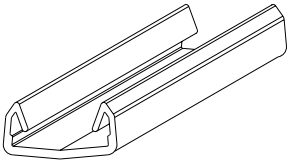
COLOR	PART NUMBER
White	741402
Tan	741403

#39) Bow Window Interior Mull Cover
Extrusion #1105-V



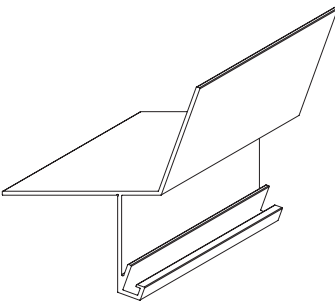
COLOR	PART NUMBER
White	741404
Tan	741405

#40) Bow Window Exterior Mull Cover
Extrusion #1106-V



COLOR	PART NUMBER
White	741406
Tan	741408

#41) Bow Side Adapter/Jamb Return
Extrusion #1581



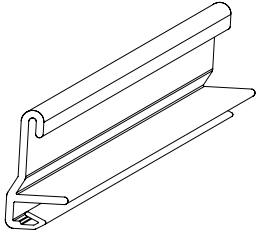
COLOR	PART NUMBER
White	741409
Tan	741410

Casement/Awning Wood Window

Accessories (194.1)

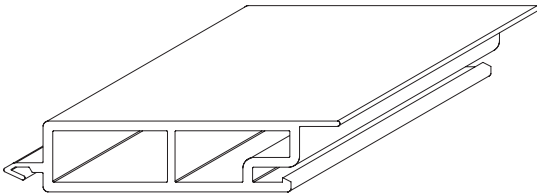
Specify length in 6" increments.

J-Channel
Extrusion #1060-V



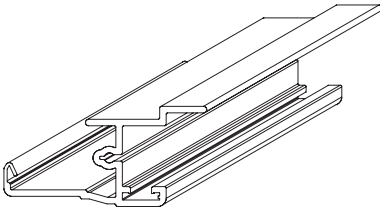
COLOR	PART NUMBER
White	741411
Tan	741412

Support Mulling Block (Frame Shim)
Extrusion #2057-V



PART NUMBER
741413

Vinyl Brick Mould
Extrusion #1059-V



COLOR	PART NUMBER
White	741414
Tan	741415



ProShield[®]
Premium Vinyl Clad Windows & Doors

Casement/Awning Wood Window Parts Reference Catalog Guide

Revised 10/2001
Revised 08-2005