

Casement Wood Window Parts Reference Catalog

#010781 (Revised 8/00)

Weather Shield

Windows & Doors



Weather Shield Mfg., Inc.
Medford, WI 54451 • 715/748-2100



Table of Contents

Parts Reference Catalog Guide	Page 1
Casement Exploded Views	
Interior	Page 2
Casement Horizontal/Vertical Mull Cross Sections	Page 3
Casement How To Measure To Order Replacement Parts	Page 4
Casement Sizes Available	Page 6
Casement Glazing Options	Page 7
Casement Sash Replacement Order Form	Page 11
Casement Screen Parts	Page 13
Casement Parts	
Horizontal	Page 14
Vertical	Page 18
Horizontal/Vertical	Page 20
Miscellaneous	Page 21



Parts Reference Catalog Guide

Please specify product option numbers or part numbers when ordering.

PURPOSE

This catalog is intended to assist you in identifying and ordering replacement parts.

CATALOG FORMAT

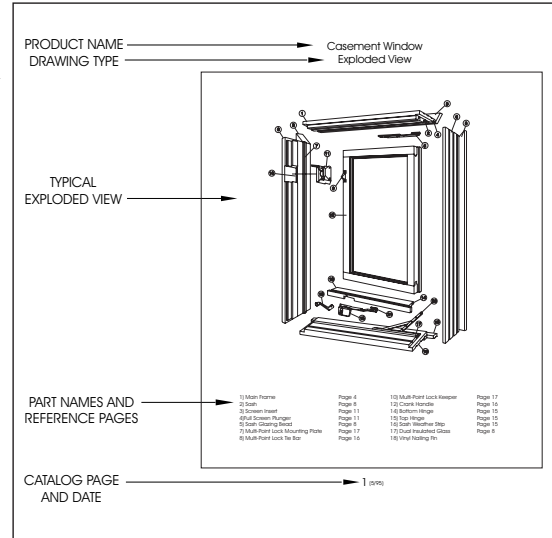
1) Exploded View Pages (Pages 2)

Shows part locations on a complete unit.

Each part name is shown at the bottom of the page with a reference page number to turn to for specific information on that part.

2) "Measuring Your Unit" Page (Pages 4 & 5)

After the exploded view pages is an informational page explaining how to measure your unit to order correct replacement part sizes.



3) Detailed Parts Information Pages (Pages 9-26)

Pages are organized under four general categories: Horizontal, Vertical, Sash-Glass-Screens, and Miscellaneous Parts Pages.

Drawings of the parts and their descriptions are shown at the left of the page as they will show up on your order acknowledgement.

Product options and part numbers are shown at the right for you to specify when ordering.

At the end of some part descriptions are brackets with "S" or "E" followed by dates. This indicates when parts were started or ended in production.

Vinyl VS Single-Hung Horizontal Parts (11.0)

SIZE TO SPECIFY FOR ORDERING: SPECIFY (S/C, WIDTH) WHEN ORDERING PARTS LISTED BELOW.

PARTS AND PART DESCRIPTIONS

OPTION AND PART NUMBERS TO USE FOR ORDERING

STARTING AND ENDING DATES FOR PARTS {S 7-14-93} (WHEN ENDING DATE IS NOT SHOWN, PART IS STILL IN USE).

DESCRIPTION	COLOUR	1 1/2" (S)	2" (S)	2 1/2" (S)	3" (S)	3 1/2" (S)	4" (S)	4 1/2" (S)	5" (S)	5 1/2" (S)	6" (S)	6 1/2" (S)	7" (S)	7 1/2" (S)	8" (S)	8 1/2" (S)	9" (S)	9 1/2" (S)	10" (S)	10 1/2" (S)	11" (S)	11 1/2" (S)	12" (S)
#110 VS 99 Aluminum Drop Cap Extrusion #93324 {S 1-1-92, E 3-30-00}		10000	10000	10000	10000	10000	10000	10000	10000	10000	10000	10000	10000	10000	10000	10000	10000	10000	10000	10000	10000	10000	10000
#110 VS 99 1 Insetive Mounting Bar (11.0) Extrusion #93325		10000	10000	10000	10000	10000	10000	10000	10000	10000	10000	10000	10000	10000	10000	10000	10000	10000	10000	10000	10000	10000	10000
#110 VS 99 Active Sash Interlock Withpin® (11.0) Extrusion #93326		10000	10000	10000	10000	10000	10000	10000	10000	10000	10000	10000	10000	10000	10000	10000	10000	10000	10000	10000	10000	10000	10000
#110 VS 99 Inset Screen Support (11.0) Extrusion #93327		10000	10000	10000	10000	10000	10000	10000	10000	10000	10000	10000	10000	10000	10000	10000	10000	10000	10000	10000	10000	10000	10000
#110 VS 99 98 Corner Extrusion #93328		10000	10000	10000	10000	10000	10000	10000	10000	10000	10000	10000	10000	10000	10000	10000	10000	10000	10000	10000	10000	10000	10000
#110 VS 99 98 Sealing Pin {S 7-14-93}		10000	10000	10000	10000	10000	10000	10000	10000	10000	10000	10000	10000	10000	10000	10000	10000	10000	10000	10000	10000	10000	10000

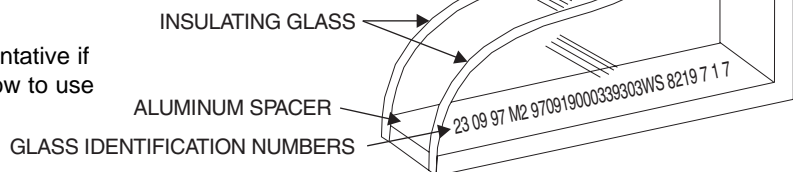
8 (019)

GLASS IDENTIFICATION NUMBERS

To identify when your unit was produced, look for the black ink numbers stamped on the aluminum spacer between the lites of glass. It will be near one of the four corners. See sketch at right.

QUESTIONS

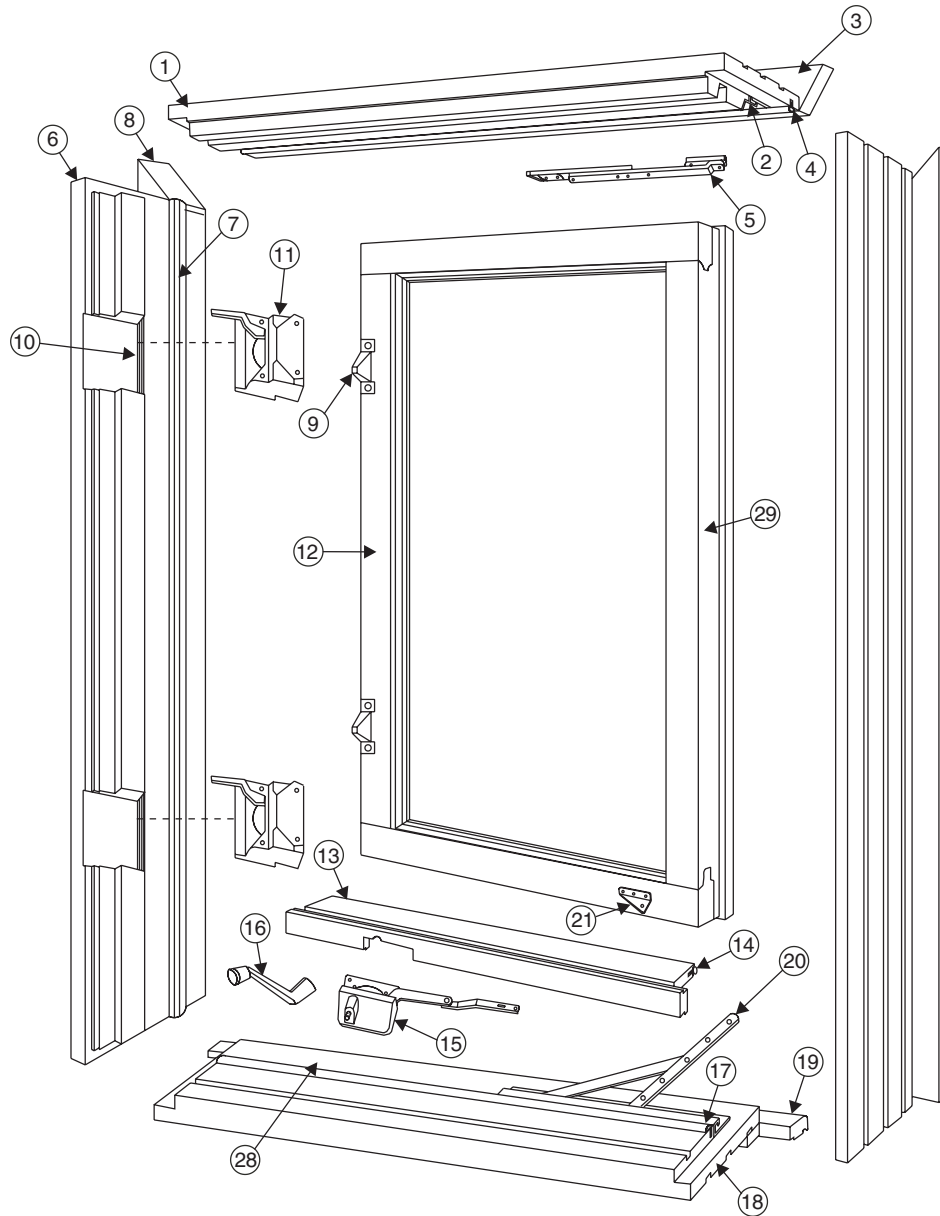
Contact your Customer Service Representative if you have any questions concerning how to use parts reference catalogs.





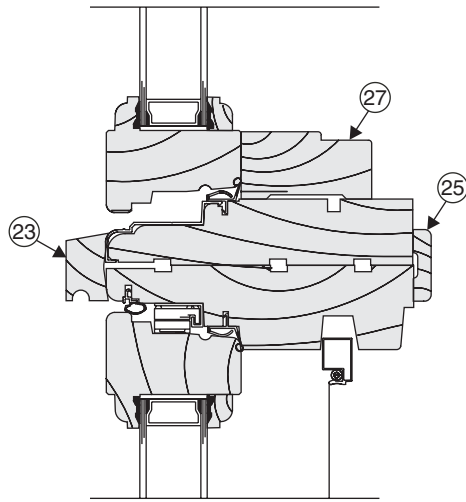
Casement/Awning Wood Window Exploded View - Interior

Left Hinged Casement Unit shown - Not to Scale.

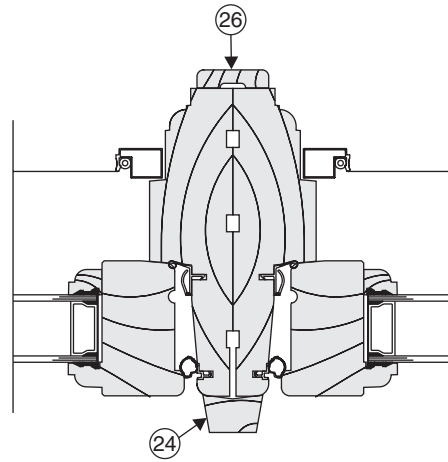


- | | | | |
|----------------------------------|---------|------------------------------|---------|
| 1) Head Jamb | | 13) Sill Operator Cover | Page 15 |
| 2) Head Jamb Leaf Weather Strip | Page 14 | 14) Sill Cover Weather Strip | Page 15 |
| 3) Head Brick Mould | Page 14 | 15) Hinged Arm Roto Operator | Page 21 |
| 4) Head Bulb Weather Strip | Page 14 | 16) Crank Handle | Page 23 |
| 5) Top Hinge | Page 21 | 17) Sill Leaf Weather Strip | Page 14 |
| 6) Side Jamb | | 18) Main Sill | |
| 7) Side Bulb Weather Strip | Page 19 | 19) Subsill | Page 16 |
| 8) Side Brick Mould | Page 18 | 20) Bottom Hinge | Page 21 |
| 9) Sash Keeper | Page 23 | 21) Sash Bracket | Page 21 |
| 10) Side Jamb Leaf Weather Strip | Page 18 | 28) Sill Cladding | Page 17 |
| 11) Sash Lock | Page 22 | 29) Sash Snubber | Page 25 |
| 12) Sash | | | |

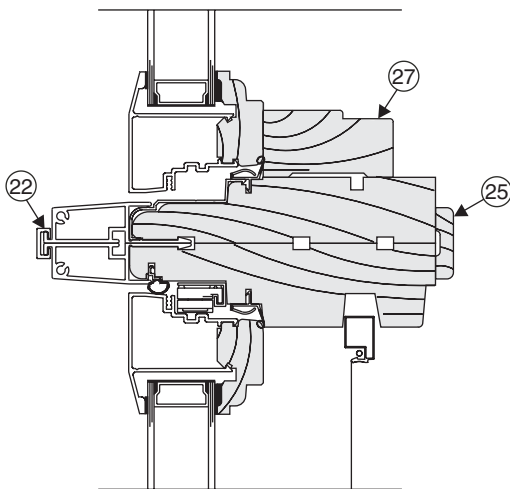
Casement Wood Window Horizontal/Vertical Mull Cross Sections



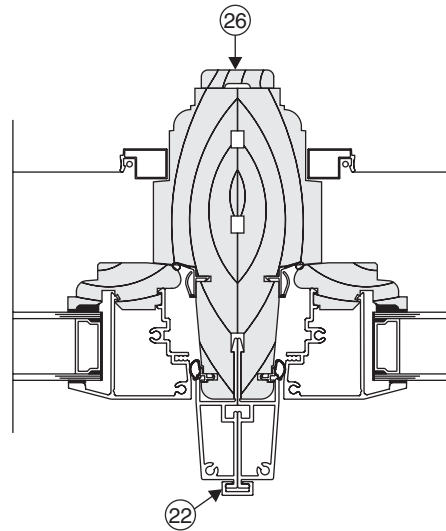
Primed or Poly I Brick Mould Horizontal Mull



Primed or Poly I Brick Mould Vertical Mull



TFT Horizontal Mull



TFT Vertical Mull

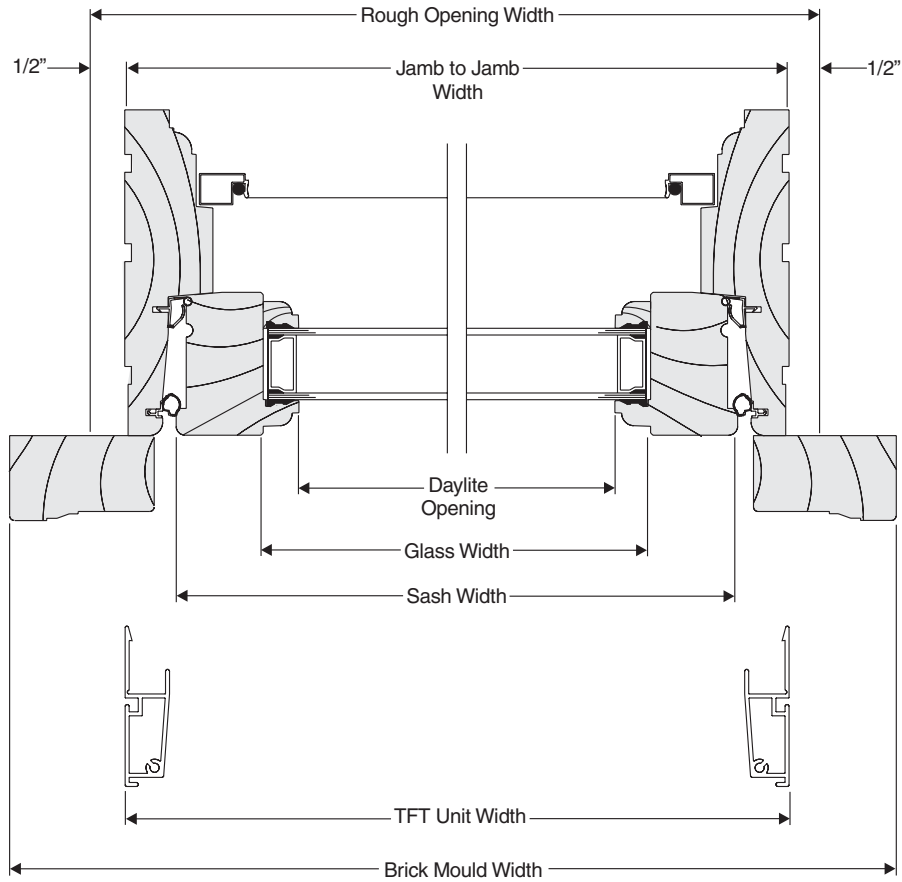
- 22) Vertical and Horizontal TFT Mull Strip
- 23) Horizontal Primed/Poly I Mull Casing
- 24) Vertical Primed/Poly I Mull Casing
- *25) Horizontal Interior Mull Lattice
- *26) Vertical Interior Mull Lattice
- 27) Stationary Sill Cover

- Pages 17 & 19
- Page 16
- Page 19
- Page 17
- Page 18
- Page 16

*** NOTE: Standard on Jamb Extended Units Beyond 4-9/16" Jamb.**

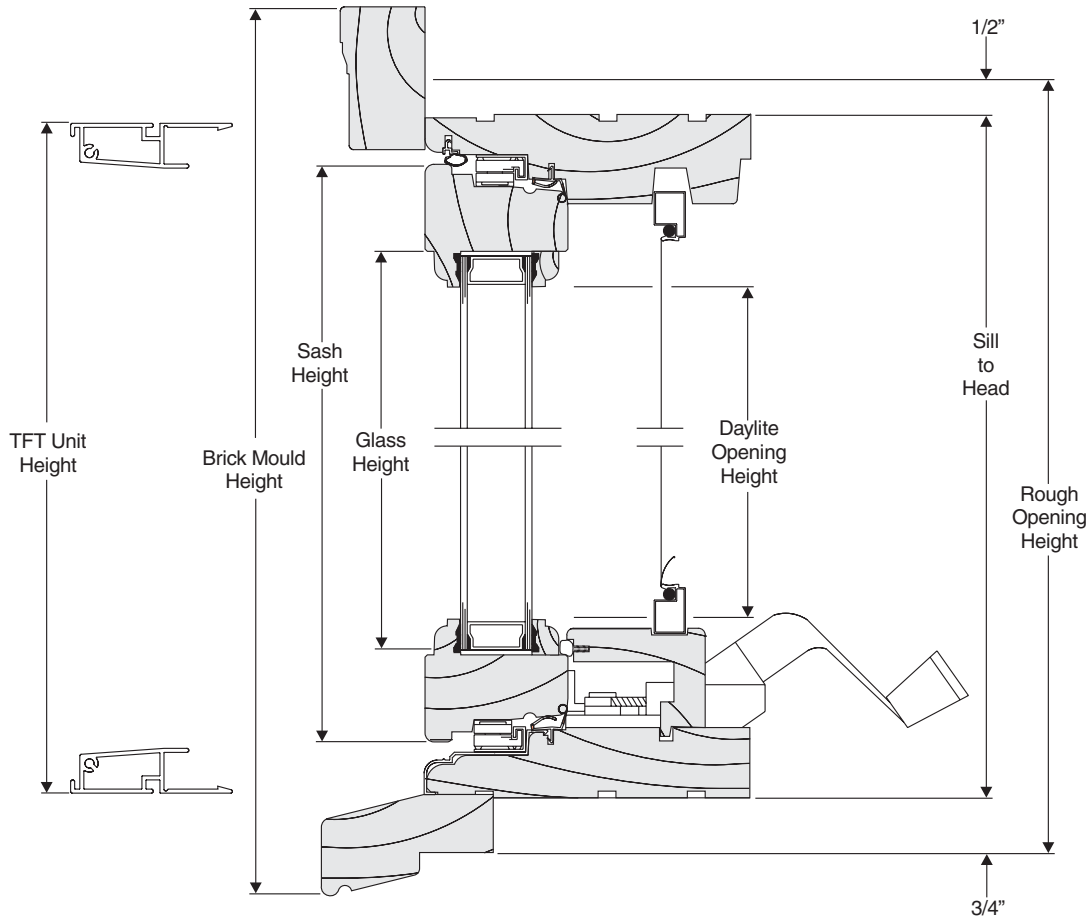


Casement Wood Window How To Measure To Order Replacement Parts



Primed Sash Width	= Glass Width	+ 2-9/16"
Contempra Sash Width	= Glass Width	+ 2-9/16"
Primed/Poly I Glass Width	= Daylite Opening Width	+ 7/8"
Contempra Glass Width	= Daylite Opening Width	+ 1-3/64"
Jamb to Jamb Width	= Glass	+ 4"
Rough Opening Width	= Glass	+ 5"
Brick Mould Unit Width	= Glass	+ 7"
TFT Unit Width	= Glass	+ 4"
Screen Width	= Glass Width	+ 1-15/16"

Casement Wood Window How To Measure To Order Replacement Parts



Primed Sash Height	= Glass Height	+ 2-5/8"
Contempra Sash Height	= Glass Height	+ 2-5/8"
Primed/Poly I Glass Height	= Daylite Opening Height	+ 13/16"
Contempra Glass Height	= Daylite Opening Height	+ 63/64"
Sill to Head Height	= Glass	+ 4-1/8"
Rough Opening Height	= Glass	+ 5-3/8"
Brick Mould Unit Height	= Glass	+ 7"
TFT Unit Height	= Glass	+ 4-7/8"
Screen Height	= Glass Height	+ 3/4"



Casement Wood Window Sizes Available

Size	Size	Size	Size	Size	Size
12 x 20	16 x 20	20 x 20	24 x 20	28 x 20	32 x 28
12 x 24	16 x 24	20 x 24	24 x 24	28 x 24	32 x 32
12 x 28	16 x 28	20 x 28	24 x 28	28 x 28	32 x 36
12 x 32	16 x 32	20 x 32	24 x 32	28 x 32	32 x 40
12 x 36	16 x 36	20 x 36	24 x 36	28 x 36	32 x 44
12 x 40	16 x 40	20 x 40	24 x 40	28 x 40	32 x 50
12 x 44	16 x 44	20 x 44	24 x 44	28 x 44	32 x 54
12 x 50	16 x 50	20 x 50	24 x 50	28 x 50	32 x 58
12 x 54	16 x 54	20 x 54	24 x 54	28 x 54	32 x 68
12 x 58	16 x 58	20 x 58	24 x 58	28 x 58	
12 x 68	16 x 68	20 x 68	24 x 68	28 x 68	

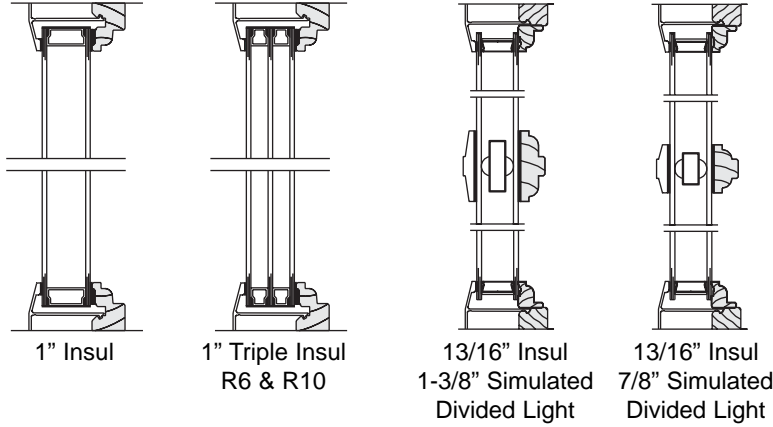
Casement Stationary Picture Center Sizes Available

Size	Size	Size	Size	Size
32 x 28	40 x 28	48-1/2 x 40	64-1/2 x 40	80-1/2 x 50
32 x 32	40 x 32	48-1/2 x 44	64-1/2 x 44	80-1/2 x 54
32 x 36	40 x 36	48-1/2 x 50	64-1/2 x 50	80-1/2 x 58
32 x 40	40 x 40	48-1/2 x 54	64-1/2 x 54	80-1/2 x 68
32 x 44	40 x 44	48-1/2 x 58	64-1/2 x 58	96-1/2 x 50
32 x 50	40 x 50	48-1/2 x 68	64-1/2 x 68	96-1/2 x 54
32 x 54	40 x 54	56-1/2 x 40	72-1/2 x 40	96-1/2 x 58
32 x 58	40 x 58	56-1/2 x 44	72-1/2 x 44	96-1/2 x 68
32 x 68	40 x 68	56-1/2 x 50	72-1/2 x 50	
36 x 28	44 x 28	56-1/2 x 54	72-1/2 x 54	
36 x 32	44 x 32	56-1/2 x 58	72-1/2 x 58	
36 x 36	44 x 36	56-1/2 x 68	72-1/2 x 68	
36 x 40	44 x 40			
36 x 44	44 x 44			
36 x 50	44 x 50			
36 x 54	44 x 54			
36 x 58	44 x 58			
36 x 68	44 x 68			

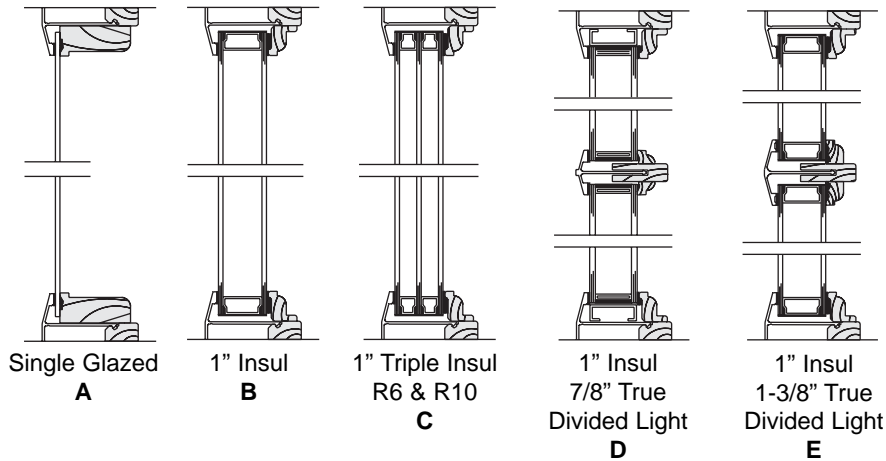
Casement Wood Window Glazing Options



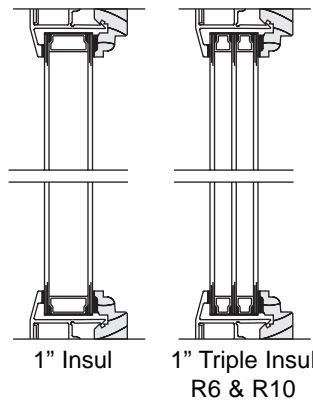
Casement Glazing Options - Contempra Aluminum Sash



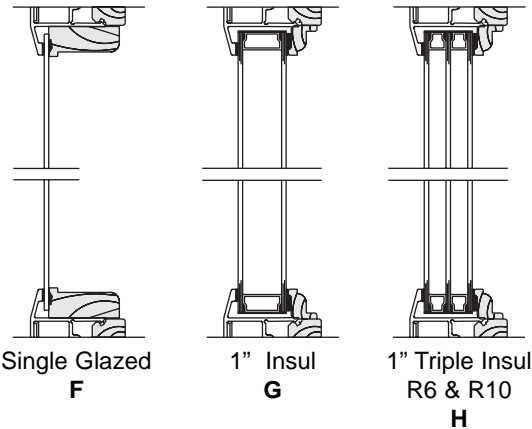
Casement Glazing Options - Reglazable Contempra Aluminum Sash



Casement Glazing Options - Contempra Vinyl Sash



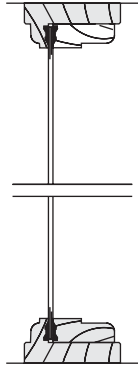
Casement Glazing Options - Reglazable Contempra Vinyl Sash



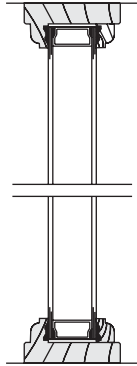


Casement Wood Window Glazing Options

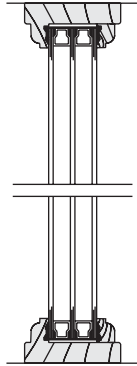
Casement Glazing Options - Primed/Poly I Sash



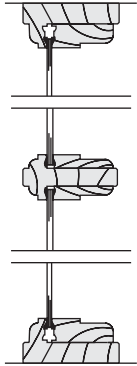
Single Glazed
I



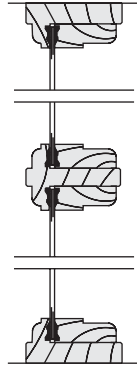
1" Insul
J



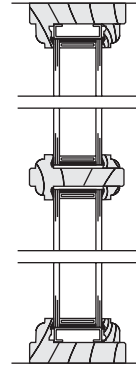
1" Triple Insul
R6 & R10
K



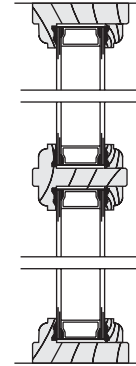
Single Glazed
7/8" True
Divided Lite
L



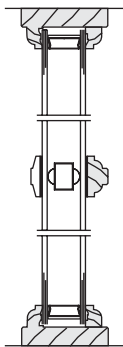
Single Glazed
1-3/8" True
Divided Lite
M



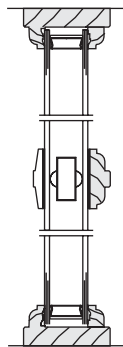
1" Insul
7/8" True
Divided Lite
N



1" Insul
1-3/8" True
Divided Light
O



1" Insul
7/8" Simulated
Divided Light



1" Insul
1-3/8" Simulated
Divided Light

Casement Wood Window Glazing Options (194.1)



Casement Reglazable Contempra
Single Glazed Glazing Bead



A

(Shown on Page 7)

TYPE	PART NUMBER
Pine	730851
Primed	730852
Oak	730854
Cherry	730855
Maple	730856
Mahogany	741543

Casement Inside Glazed Contempra
Sash Glazing Bead



B, C, D, E, G, & H

(Shown on Page 7)

TYPE	PART NUMBER
Pine	730857
Primed	730858
Oak	730860
Cherry	730861
Maple	730862
Mahogany	741544

Casement 7/8" TDL
1" Insul Muntin Bead



D & N

(Shown on Page 7 & 8)

TYPE	PART NUMBER
Pine	730863
Primed	730864
Oak	730866
Cherry	730867
Maple	730868
Mahogany	741545

NOTE: For wood beads, specify length needed in feet (i.e. 1', 2', 3', etc.). Maximum 8' length.



Casement Wood Window Glazing Options (194.1)

Casement 1" Insul Wood Sash Bead
and 1-3/8" Muntin Bead

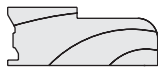


E, J, K, N, & O

(Shown on Page 7 & 8)

TYPE	PART NUMBER
Pine	730869
Primed	730870
Oak	730872
Cherry	730873
Maple	730874
Mahogany	741546

Casement 1-Lite Single Glazed Wood Sash
Bead and 1-3/8" Muntin Bead



I, L, & M

(Shown on Page 8)

TYPE	PART NUMBER
Pine	730875
Primed	730876
Oak	730878
Cherry	730879
Maple	730880
Mahogany	741547

Casement 7/8" TDL Single Glazed
Muntin Bead



L

(Shown on Page 8)

TYPE	PART NUMBER
Pine	730881
Primed	730882
Oak	730884
Cherry	730885
Maple	730886
Mahogany	741548

NOTE: For wood beads, specify length needed in feet (i.e. 1', 2', 3', etc.). Maximum 8' length.

Casement Wood Window Sash Replacement Order Form



Order Glass Only on Page 90.5 - Sash and Glass on Page 94.4

To Order Replacement Sash, Specify The Following:

1) Manufacturing Date / Glass Code (See Page 1): _____

2) Glass Size (See Page 4 & 5):
Width: _____ Height: _____

3) Glazing Option (See Page 7 & 8):

- Single Glazed
- Insul
- Triple Insul R6
- Triple Insul R10

4) Spacer Color:

- Mill Finish
- Bronze Anodized

5) Glass Type:

- Clear
- Low E
- Special Glass: (Obscure, Tinted, Patterned, Etc.) _____

TDL Configuration: Wide: _____ High: _____ (Example: Wide: 2 High: 3)
 7/8" Bar
 1-3/8" Bar

SDL Configuration: Wide: _____ High: _____ (Example: Wide: 2 High: 3)
 7/8" Bar
 1-3/8" Bar

Grille in Airspace and Configuration:

Grille Type:

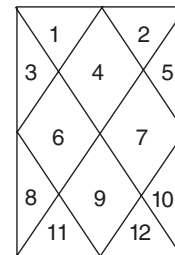
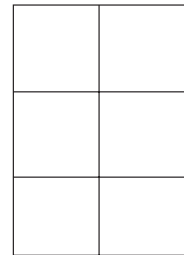
- 5/8" Rectangular Wide: _____ High: _____
- 5/8" Diamond Wide: _____ High: _____ (Example: 12-Lite)
- 11/16" Sculptured Rectangular Wide: _____ High: _____
- 15/16" Sculptured Rectangular Wide: _____ High: _____

Color:

- White
- Adobe
- Desert Tan
- Hartford Green

Gas:

- Argon/Krypton/SF6 (circle which one applies)



----- **NOTE: If ordering glass only, stop here.** -----

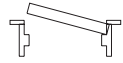
NOTE: Always specify Hinge Code Location: L (Left), R (Right), S (Stationary) as viewed from the outside.



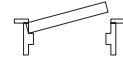
Casement Wood Window Sash Replacement Order Form

6) Hinge Code:

- Left
- Right
- Stationary



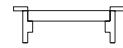
Left Hinged



Right Hinged

7) Hardware:

- Standard
- Seacoast



Stationary

8) Exterior Type & Color:

- Primed
- No Prime/No Fingerjoint

- Poly I
- Contempra Aluma
 - White
 - Adobe
 - Desert Tan
 - Hartford Green
 - Flexicolor _____

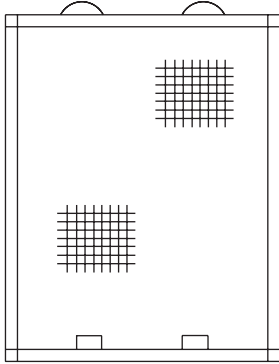
9) Interior Type:

- Pine
- Primed
- Oak
- Cherry
- Maple
- Mahogany
- Poly I
 - Color: _____

Casement Wood Window Screen Parts



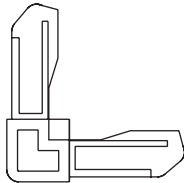
Screen (90.7)



Screen Width = Glass Width + 1-15/16"
Screen Height = Glass Height + 3/4"

FINISH	OPTION NUMBER
* White	4181
Adobe	4182
Desert Tan	4183
Bright Brass	4481
Goldtone	4211
Hartford Green	4293

Full Screen Corner Key 7/16" {S 10-88} (120.0)



FINISH	PART NUMBER
White 95 {E 1-2-96}	979021
White 96 {S 1-2-96}	981632
Adobe	979020
Desert Tan	979122
Bright Brass	980742
Goldtone	979123
Hartford Green	981719

Screen Tabs Grey 13/16" (120.0)



PART NUMBER
750763

Screen Tension Leaf Spring (120.0)



PART NUMBER
972570

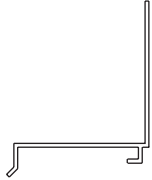
* When ordering White Replacement Parts, please specify manufacture date/glass code (see page 1).



Casement Wood Window Horizontal Parts (99.0)

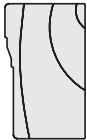
Specify glass width when ordering parts below.

TFT Aluminum Head Drip Cap
Extrusion #2522



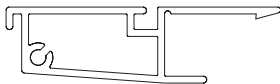
FINISH	1-WIDE PART NUMBER	2-WIDE PART NUMBER	3-WIDE PART NUMBER	4-WIDE PART NUMBER	5-WIDE PART NUMBER
* White	312676	312677	312678	312679	312680
Adobe	312681	312682	312683	312684	312685
Desert Tan	312686	312687	312688	312689	312690
Hartford Green	320254	320255	320256	320257	320258

#3) Head Brick Mould



TYPE	1-WIDE PART NUMBER	2-WIDE PART NUMBER	3-WIDE PART NUMBER	4-WIDE PART NUMBER	5-WIDE PART NUMBER
Primed	310006	311746	311747	312672	312673

Head and Sill TFT
Aluminum Extrusion #2521
White Vinyl Extrusion #2021



FINISH	PART NUMBER
* White Aluminum	780001
Adobe Aluminum	780013
Desert Tan Aluminum	780474
Hartford Green Aluminum	782084
White Vinyl	760009

#4) Head Jamb Bulb Weather Strip
Extrusion #2010



PART NUMBER
760013

#2 & #17) Head and Sill Leaf Weather Strip
Extrusion #2124



PART NUMBER
760692

* When ordering White Replacement Parts, please specify manufacture date/glass code (see page 1).

Casement Wood Window Horizontal Parts (99.0)



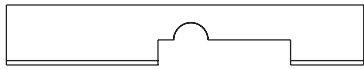
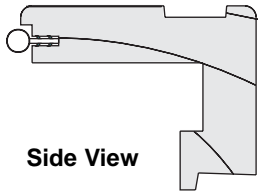
Specify glass width when ordering parts below.

#14) Operator Cover Weather Strip
Extrusion #5090

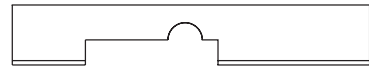


PART NUMBER
760431

#13) Operator Sill Cover

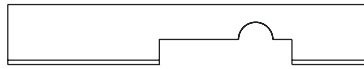


Left Interior View



Right Interior View

8-3/8" Split-Arm Operator



5-7/16" Single Arm Operator
5-7/16" Eyebrow Operator
9-29/32" Single Arm Operator
Over 28" Glass Width

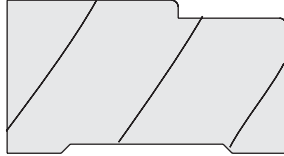
TYPE	SPLIT-ARM		SINGLE ARM		SINGLE ARM OVER 28"	
	LEFT PART NUMBER	RIGHT PART NUMBER	LEFT PART NUMBER	RIGHT PART NUMBER	LEFT PART NUMBER	RIGHT PART NUMBER
Pine	310018	310041	320136	320137	320140	320141
Primed	320328	320329	320332	320333	320334	320335
Oak	313008	313009	320142	320143	320146	320147
Cherry	318518	318519	320217	320218	320223	320224
Maple	320330	320331	320340	320341	320342	320343
Mahogany	322580	322581	320561	320578	320562	320579



Casement Wood Window Horizontal Parts (99.0)

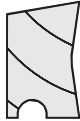
Specify glass width when ordering parts below.

#27) Stationary Sill Cover



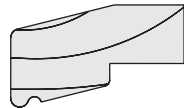
FINISH	PART NUMBER
Pine	310017
Primed	311805
Oak	312995
Cherry	318520
Maple	320327
Mahogany	320572

#23) Primed/Poly I Mull Casing



WIDE	FINISH	PART NUMBER
1 Wide	Primed	314655
2 Wide	Primed	314657
3 Wide	Primed	314658
4 Wide	Primed	314659
5 Wide	Primed	314660

#19) Subsill



TYPE	1-WIDE PART NUMBER	2-WIDE PART NUMBER	3-WIDE PART NUMBER	4-WIDE PART NUMBER	5-WIDE PART NUMBER
Primed	310010	311748	311749	312674	312675

Sill Installation Fin
Extrusion #2115



PART NUMBER
760103

Casement Wood Window Horizontal Parts



Specify glass width when ordering parts below.

#28) Extruded Aluminum Sill Cladding (99.0)
Extrusion #2539



FINISH	LEFT PART NUMBER	RIGHT PART NUMBER	STATIONARY PART NUMBER
White	781981	781982	781915

#22) Horizontal Aluminum Mull Cover (194.1)
Extrusion #1504E



Slide-On

NOTE: Specify total unit width when ordering.

FINISH	PART NUMBER
* White	730030
Adobe	730031
Desert Tan	730032
Hartford Green	730849

#25) Interior Mull Lattice (194.1)



NOTE: Specify total unit width when ordering.

TYPE	PART NUMBER
Pine	730843
Primed	730844
Oak	730846
Cherry	730847
Maple	730848
Mahogany	741549

* When ordering White Replacement Parts, please specify manufacture date/glass code (see page 1).



Casement Wood Window Vertical Parts (100.0)

Specify glass width when ordering parts below. Parts are viewed from the exterior.

#26) Interior Mull Lattice



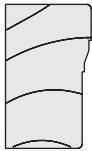
TYPE	PART NUMBER BY GLASS HEIGHT (100.0)	PART NUMBER BY SPECIFIC LENGTH (194.1)
Pine	310023	730843
Primed	320324	730844
Oak	317306	730846
Cherry	318479	730847
Maple	320326	730848
Mahogany	322582	741549

#10) Side Leaf Weather Strip Extrusion #2124



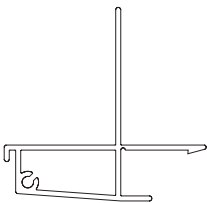
PART NUMBER BY GLASS HEIGHT (100.0)	PART NUMBER BY 12'6" PIECES (194.0)	PART NUMBER BY SPECIFIC LENGTH (194.1)
760691	741009	730645

#8) Side Brick Mould



COLOR	LEFT PART NUMBER	RIGHT PART NUMBER	PAIR PART NUMBER
Primed	310016	310047	312280

Side TFT with Fin Aluminum Extrusion #2520 Vinyl Extrusion #2020



FINISH	PART NUMBER
*White Aluminum	780002
Adobe Aluminum	780007
Desert Tan Aluminum	780476
Hartford Green Aluminum	782085
* White Vinyl	760006

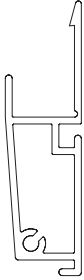
* When ordering White Replacement Parts, please specify manufacture date/glass code (see page 1).

Casement Wood Window Vertical Parts



Specify glass width when ordering parts below. Parts are viewed from the exterior.

Side TFT without Fin (100.0)
Aluminum Extrusion #2521
Vinyl Extrusion #2021



FINISH	PART NUMBER
*White Aluminum	780024
Adobe Aluminum	780027
Desert Tan Aluminum	780475
Hartford Green Aluminum	782090
* White Vinyl	761274

#7) Side Jamb Bulb Weather Strip (100.0)
Extrusion #2010



PART NUMBER BY GLASS HEIGHT (100.0)	PART NUMBER BY 12'6" PIECES (194.0)	PART NUMBER BY SPECIFIC LENGTH (194.1)
760220	740392	730128

#22) Vertical Aluminum Mull Cover (194.1)
Extrusion #1504E



Slide-On

NOTE: Specify total unit height when ordering.

FINISH	PART NUMBER BY GLASS HEIGHT (100.0)	PART NUMBER (194.1)	PART NUMBER 14'8" PCS (194.0)
* White	780959	730030	969061
Adobe	780960	730031	969062
Desert Tan	780961	730032	969244
Hartford Green	782173	730849	967142

#24) Outside Mull Casing (100.0)



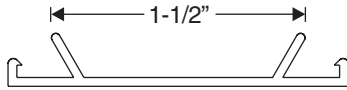
TYPE	PART NUMBER BY 6" INCREMENTS (194.1)	PART NUMBER BY GLASS HEIGHT (100.0)
Primed	730216	310022

*** When ordering White Replacement Parts, please specify manufacture date/glass code (see page 1).**



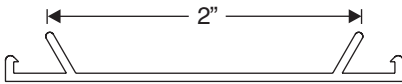
Casement Wood Window Horizontal/Vertical Parts

1-1/2" Aluminum TFT Mull Cover
Extrusion #1534



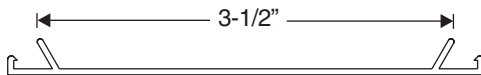
FINISH	PRECUT IN INCHES (194.1) PART NUMBER
* White	741001
Adobe	741002
Desert Tan	741003
Hartford Green	741182

2" Aluminum TFT Mull Cover
Extrusion #1590



FINISH	PRECUT IN INCHES (194.1) PART NUMBER
* White	730172
Adobe	730173
Desert Tan	730174
Hartford Green	741474

3-1/2" Aluminum TFT Mull Cover
Extrusion #1535



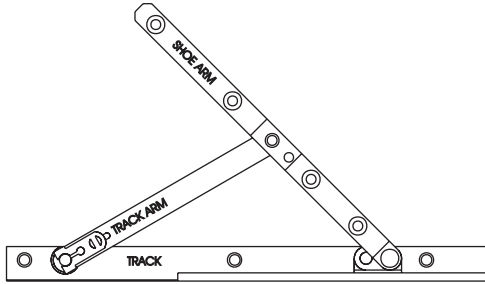
FINISH	PRECUT IN INCHES (194.1) PART NUMBER
* White	741004
Adobe	741005
Desert Tan	741006
Hartford Green	741475

* **When ordering White Replacement Parts, please specify manufacture date/glass code (see page 1).**

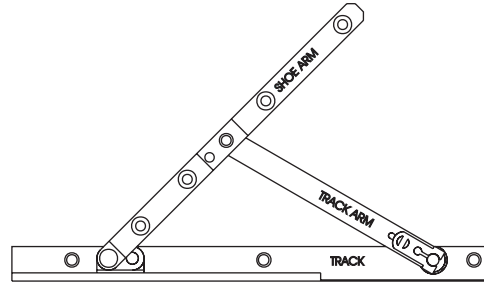
Casement Wood Window Miscellaneous Parts (120.0)



#5 & 20) Standard Hinge



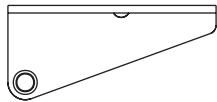
Left Hinge (L - Oper - Btm / R - Oper - Top)



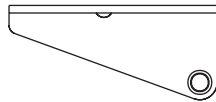
Right Hinge (R - Oper - Btm / L - Oper - Top)

TYPE	STANDARD			ADJUSTABLE		
	RIGHT PART NUMBER	LEFT PART NUMBER	PAIR PART NUMBER	RIGHT PART NUMBER	LEFT PART NUMBER	PAIR PART NUMBER
Standard	972002	972001	312939	972923	972922	320323
Egress	972058	972057	312938	N/A	N/A	N/A
Stainless Steel	972145	972144	312959	972661	972660	972662
Stainless Steel Egress	972425	972424	319678	N/A	N/A	N/A

#21) Sash Bracket



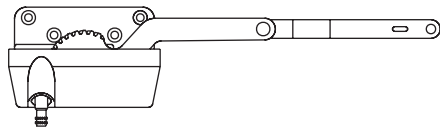
Right



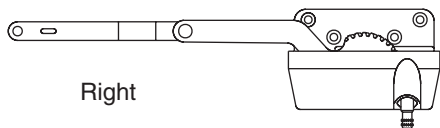
Left

TYPE	LEFT PART NUMBER	RIGHT PART NUMBER
Goldtone	972010	972039
Sea Coast	972782	972781

#15) Split Arm Operator



Left



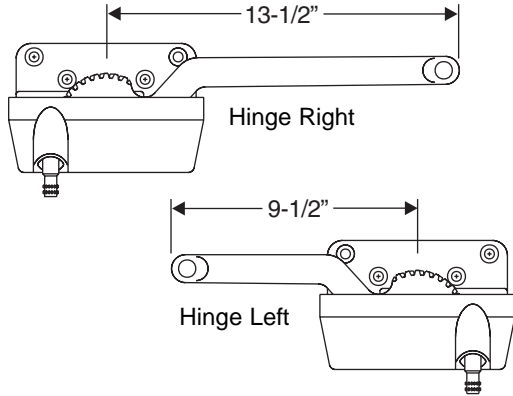
Right

TYPE	LEFT PART NUMBER	RIGHT PART NUMBER
Goldtone	972004	972012
Bright Brass	972153	972154
White 95 {E 1-2-96}	972119	972120
White 96 {S 1-2-96}	972959	972960
Adobe	972502	972503
Sea Coast White 96	972976	972977
Sea Coast Goldtone	972788	972789



Casement Wood Window Miscellaneous Parts (120.0)

Single Arm Operator



SINGLE ARM OPERATOR WITH SEA COAST			
TYPE	SIZE	LEFT PART NUMBER	RIGHT PART NUMBER
Goldtone	13-1/2"	972505	972506
White 95 {E 1-2-96}	13-1/2"	972746	972747
White 96 {S 1-2-96}	13-1/2"	972955	972956
Goldtone	9-1/2"	972890	972891
White 95 {E 1-2-96}	9-1/2"	972744	972745
White 96 {S 1-2-96}	9-1/2"	972957	972958

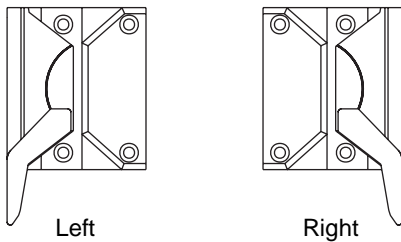
SINGLE ARM OPERATOR WITH E-GARD			
TYPE	SIZE	LEFT PART NUMBER	RIGHT PART NUMBER
Goldtone	13-1/2"	972043	972044
Bright Brass	13-1/2"	972272	972273
White 95 {E 1-2-96}	13-1/2"	972405	972406
White 96 {S 1-2-96}	13-1/2"	972978	972979
Adobe or Bronze	13-1/2"	972121	972122
Goldtone	9-1/2"	972173	972174
Bright Brass	9-1/2"	972888	972889
White 95 {E 1-2-96}	9-1/2"	972654	972655
White 96 {S 1-2-96}	9-1/2"	972984	972983
Adobe or Bronze	9-1/2"	972489	972490

Single Arm Operator Sash Slide



TYPE	PART NUMBER
E-Guard	972045
Sea Coast	972920

#11) Sash Locks

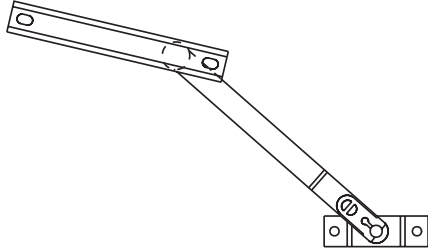


TYPE	LEFT PART NUMBER	RIGHT PART NUMBER
Goldtone	972003	972000
Bright Brass	972164	972165
White 95 {S 1-2-86} {E 1-2-96}	972123	972124
White 96 {S 1-2-96}	972970	972971
Adobe (Bronze)	972125	972126
Old Style Goldtone {E 12-31-85}	972229	972230

Casement Wood Window Miscellaneous Parts (120.0)

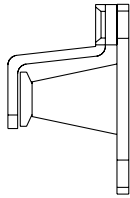


Sash Limit Device



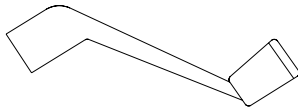
TYPE	PART NUMBER
E-Guard	972167
Sea Coast	972252

#9) Sash Lock Keeper Reinforcement Bracket (Structural Performance Upgrade)



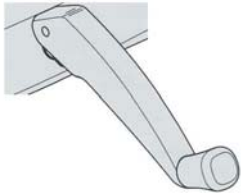
PART	PART NUMBER
Reinforcement Bracket Only	940471
Left Keeper and Bracket	940802
Right Keeper and Bracket	940803

#16) Crank Handle



FINISH	PART NUMBER
Goldtone	972008
Bright Brass	972274
White 95 {E 1-2-96}	972127
White 96 {S 1-2-96}	972963
Adobe	972128
Old Style	972192

Folding Crank Handle



FINISH	PART NUMBER
Goldtone	940204
Bright Brass	940567
White	940234
Adobe	940318



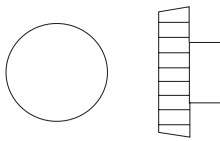
Casement Wood Window Miscellaneous Parts (120.0)

Sash Keeper



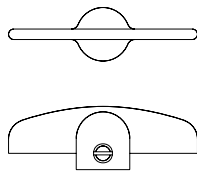
TYPE	PART NUMBER
E-Guard {S 1-2-86}	972009
Old Style {E 12-31-85}	972231
Sea Coast	972770

Round Handle



FINISH	PART NUMBER
Goldtone	972069
Bright Brass	972338
White 95 {E 1-2-96}	972129
White 96 {S 1-2-96}	940044
Adobe	972130

"T" Handle



FINISH	PART NUMBER
Goldtone	972268
Bright Brass	972393
White 95 {E 1-2-96}	972275
White 96 {S 1-2-96}	972991
Adobe	972648

Bulb Weather Strip {S 1965, E 1987} Extrusion #2030

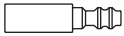


PART NUMBER BY SPECIFIC LENGTH (194.1)	PART NUMBER 12' 6" PIECES (194.0)
730127	740634

Casement Wood Window Miscellaneous Parts (120.0)



2" Handle Extension



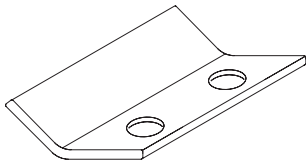
FINISH	PART NUMBER
Goldtone	972067
Bright Brass	972438
White 95 {E 1-2-96}	972467
White 96 {S 1-2-96}	940063
Adobe	972137

4" Handle Extension



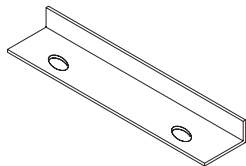
FINISH	PART NUMBER
Goldtone	972068
Bright Brass	972439
White 95 {E 1-2-96}	972468
White 96 {S 1-2-96}	940064
Adobe	972139

#29) Concealed Sash Snubber (For Contempra)



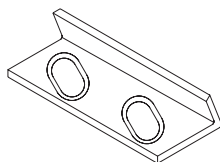
PART NUMBER
980727

Contempra Stationary Sash "L" Clip



PART NUMBER
972104

Concealed Sash Snubber/Aligner (For Wood Sash)

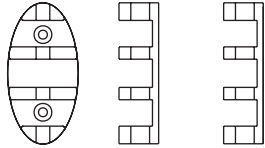


PART NUMBER
972524

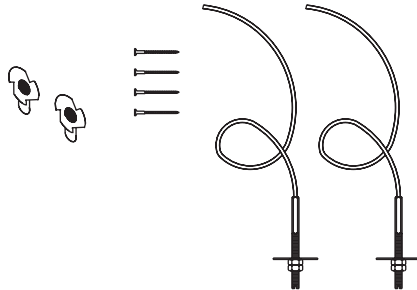


Casement Wood Window Miscellaneous Parts

Cable Support Kit (146.0)



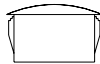
- Kit Includes:
2- Adjustable Cable Tightening Cleats
2- Support Cables (approx. 9' length)
2 - Cable Brushings (T-Nuts)
2 - 1/4" Washers
4 - 1/4" Nuts
4 - 2-1/2" Wood Screws



PART NUMBER

972728

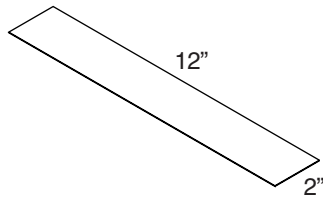
Stationary Sill Cover Plug (120.0) (Heyco Shorty Plug #16)



PART NUMBER

979203

Stacking and Mulling Plate (194.0)



PART NUMBER

617628

Hinge Release Clip (120.0)



PART NUMBER

972175