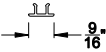
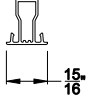
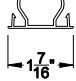
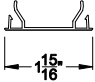
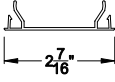
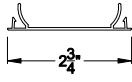
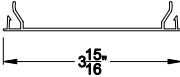
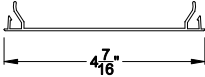
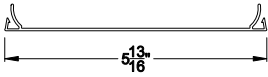
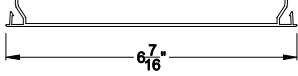
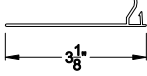
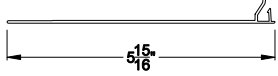
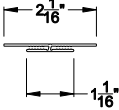
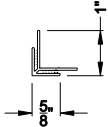
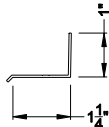
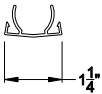
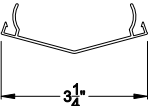
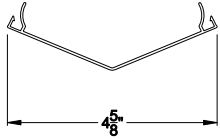


Weather Shield®

Premium Series™

Clad Accessories and Trim

CROSS SECTION DETAILS

| | | |
|---|--|--|
| 60-4196-01 (176")  | P0130000 (176")  | 85-11070-01  |
| DIRECT MULL CLIP | 1/2" MULL COVER | 1" MULL COVER |
| 04-2224-02 (176")  | 04-2225-02 (176")  | 60-5990 (176")  |
| 1 1/2" MULL COVER | 2" MULL COVER | 2 1/4" MULL COVER |
| 04-2226-02 (176")  | 85-10571-01 (176")  | 60-13020-01  |
| 3 1/2" MULL COVER | 4" MULL COVER | 5 1/2" MULL COVER |
| 85-10572-01 (176")  | 04-2175-02 (176")  | 04-2176-02 (176")  |
| 6" MULL COVER | SHORT TRIM FLANGE | LONG TRIM FLANGE |
| 04-2300-02 (174")  | 04-2097-02 (174")  | 04-2064-02 (176")  |
| MULL RECEPTOR | 90° CORNER COVER | DRIP CAP |
| A1616 (174")  | A1615 (174")  | A1608 (174")  |
| 10° BAY MULL COVER | 30° BAY MULL COVER | 45° BAY MULL COVER |

Note: All dimensions are approximate. Weather Shield reserves the right to change specifications without notice.

Weather Shield®

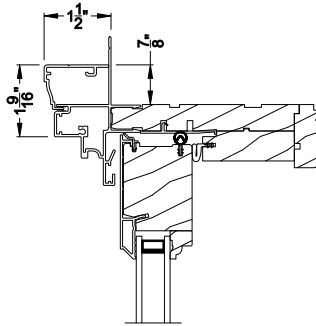
Premium Series™

Clad Accessories and Trim

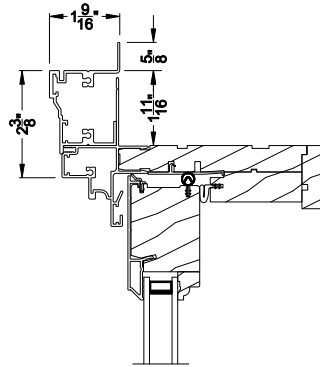
CROSS SECTION DETAILS

| | | |
|--------------------------------|------------------------------|--|
| <p>04-2183-02 (176")</p> | <p>04-A1549 (228")</p> | <p>04-A8638 (228" T4)</p> |
| 7/8" BRICKMOULD | 1-11/16" BRICKMOULD | 1-11/16" FLAT CASING |
| <p>04-A1545 (228")</p> | <p>04-2181-02 (228")</p> | <p>45-02285</p> |
| 3-5/16" FLAT CASING | HISTORICAL BRICKMOULD | 3-1/2" Mid-Atlantic Casing |
| <p>04-A8637 (228" T4)</p> | <p>04-A8638 x2 (228" T4)</p> | <p>04-A8637 (228" T4) 04-2182-02 (176" T4)</p> |
| Bendable Profile | 2 Piece Bendable Profile | 2 Piece Bendable Profile |
| 1-11/16" BRICKMOULD | FLAT CASING | HISTORICAL BRICKMOULD |
| <p>45-02313 45-02317</p> | <p>04-A1552 (176")</p> | <p>45-02287</p> |
| Mid-Atlantic Casing (Bendable) | 3/4" SILL NOSING | *Mid Atlantic Casing uses this sill nose only |
| | | 1-5/16" Projected Sill Nosing |
| <p>60-9561 (176")</p> | <p>60-9601 (176")</p> | <p>60-9962 (176")</p> |
| End Caps Available | End Caps Available | End Caps Available |
| #9561 1" BULL NOSE | 1" FULL ROUND BULL NOSE | #9962 2" BULL NOSE |

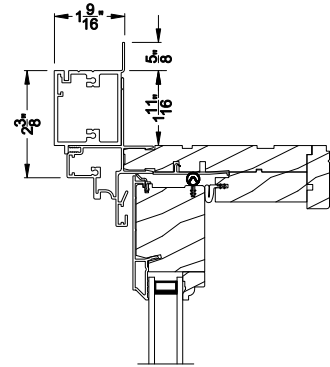
Note: All dimensions are approximate. Weather Shield reserves the right to change specifications without notice.



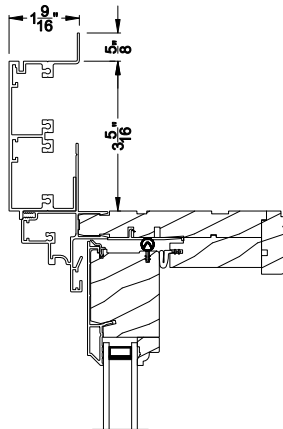
7/8" BRICKMOULD
Head Section Detail



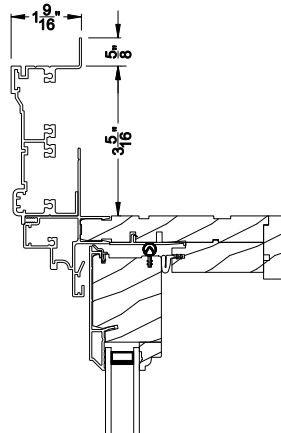
1 11/16" BRICKMOULD
Head Section Detail



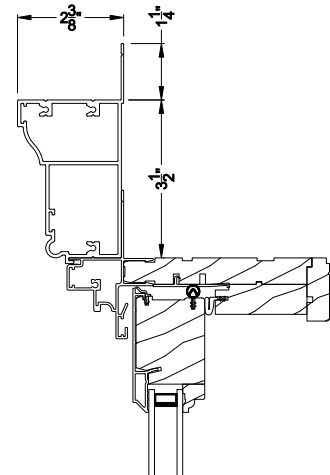
1 11/16" FLAT CASING
Head Section Detail



3 5/16" FLAT CASING
Head Section Detail

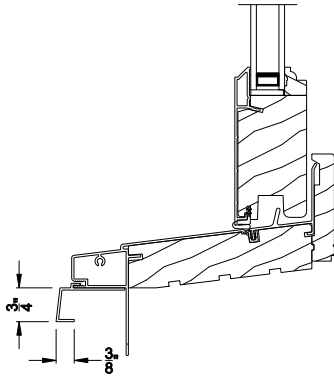


3 5/16" HISTORICAL BRICKMOULD
Head Section Detail

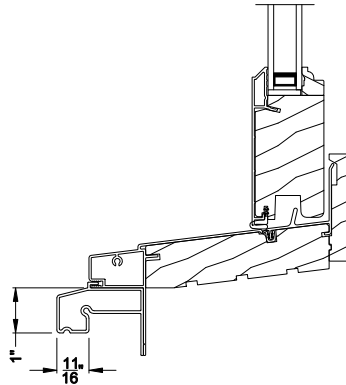


Mid Atlantic Casing
Head Section Detail

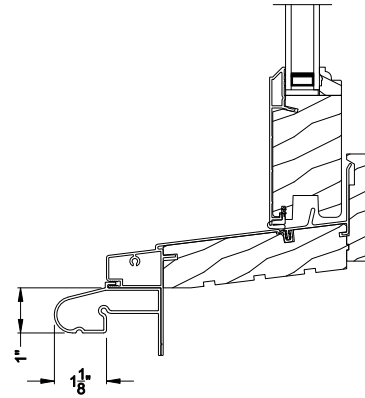
Note: All dimensions are approximate. Weather Shield reserves the right to change specifications without notice.



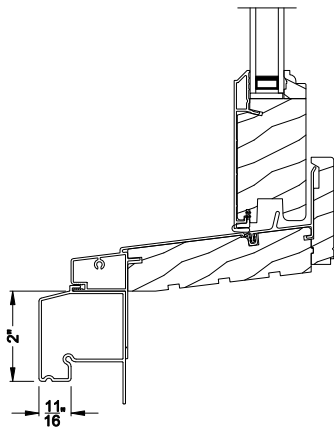
3/4" BULL NOSE
Sill Section Detail



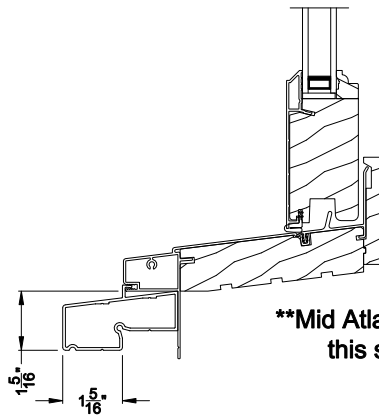
1" BULL NOSE*
Sill Section Detail



1" FULL ROUND BULL NOSE*
Sill Section Detail



2" BULL NOSE*
Sill Section Detail

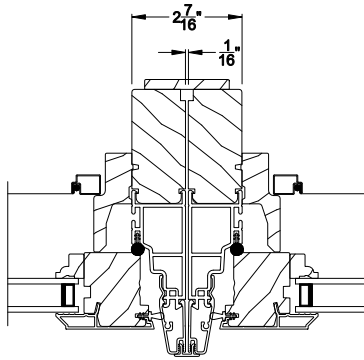


1 5/16" PROJECTED SILL NOSE*
Sill Section Detail

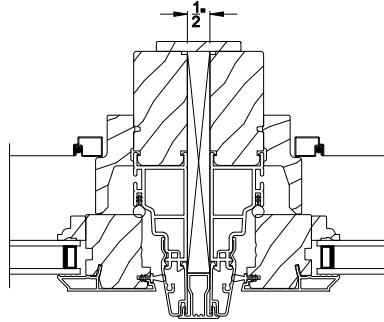
****Mid Atlantic Casing uses
this sill nose only**

* Available with color matched end caps.

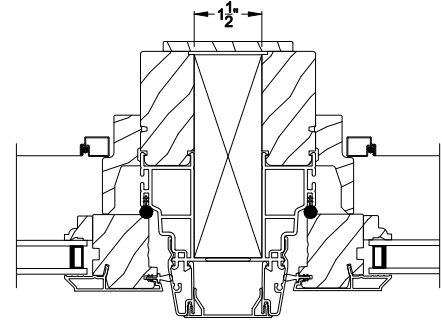
Note: All dimensions are approximate. Weather Shield reserves the right to change specifications without notice.



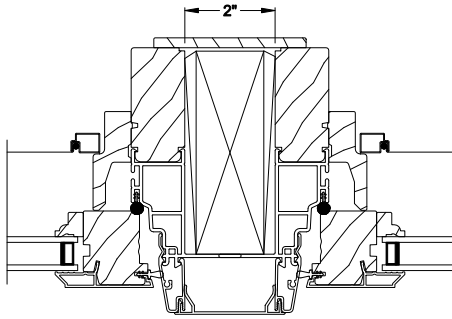
TIGHT MULL
Jamb Section Detail



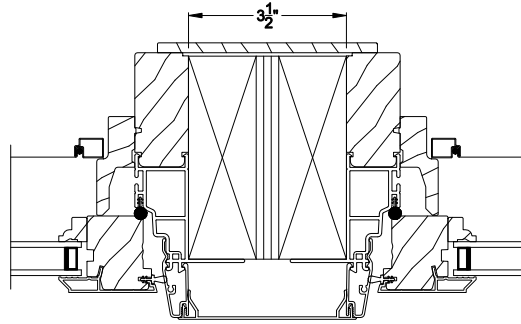
1/2" SPREAD MULL
Jamb Section Detail



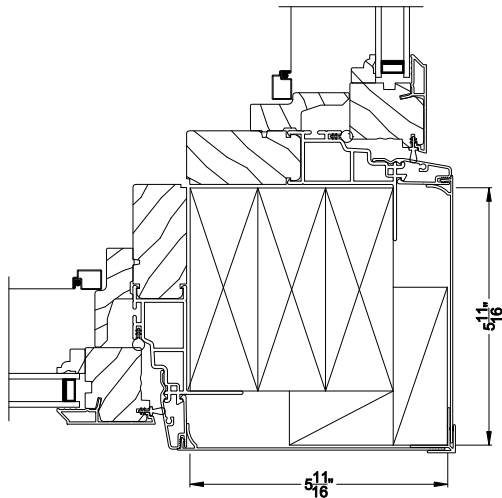
1 1/2" SPREAD MULL
Jamb Section Detail



2" SPREAD MULL
Jamb Section Detail



3 1/2" SPREAD MULL
Jamb Section Detail



90 DEGREE CORNER MULL
Jamb Section Detail

NOTE: Drawings show typical filed mull applications.
Factory mullered units may vary.

Note: All dimensions are approximate. Weather Shield reserves the right to change specifications without notice.